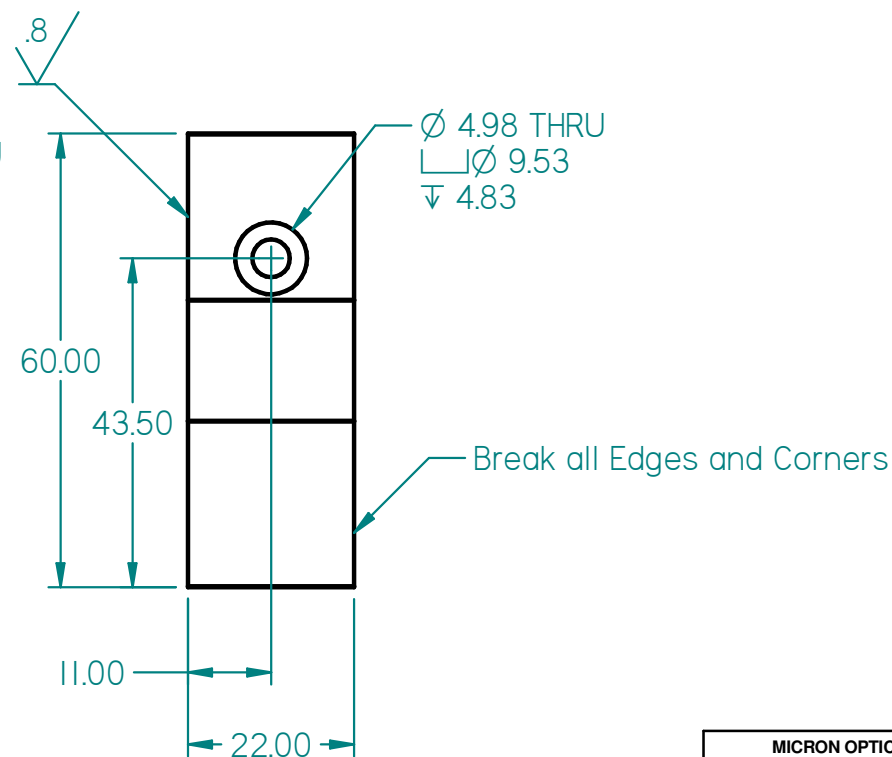
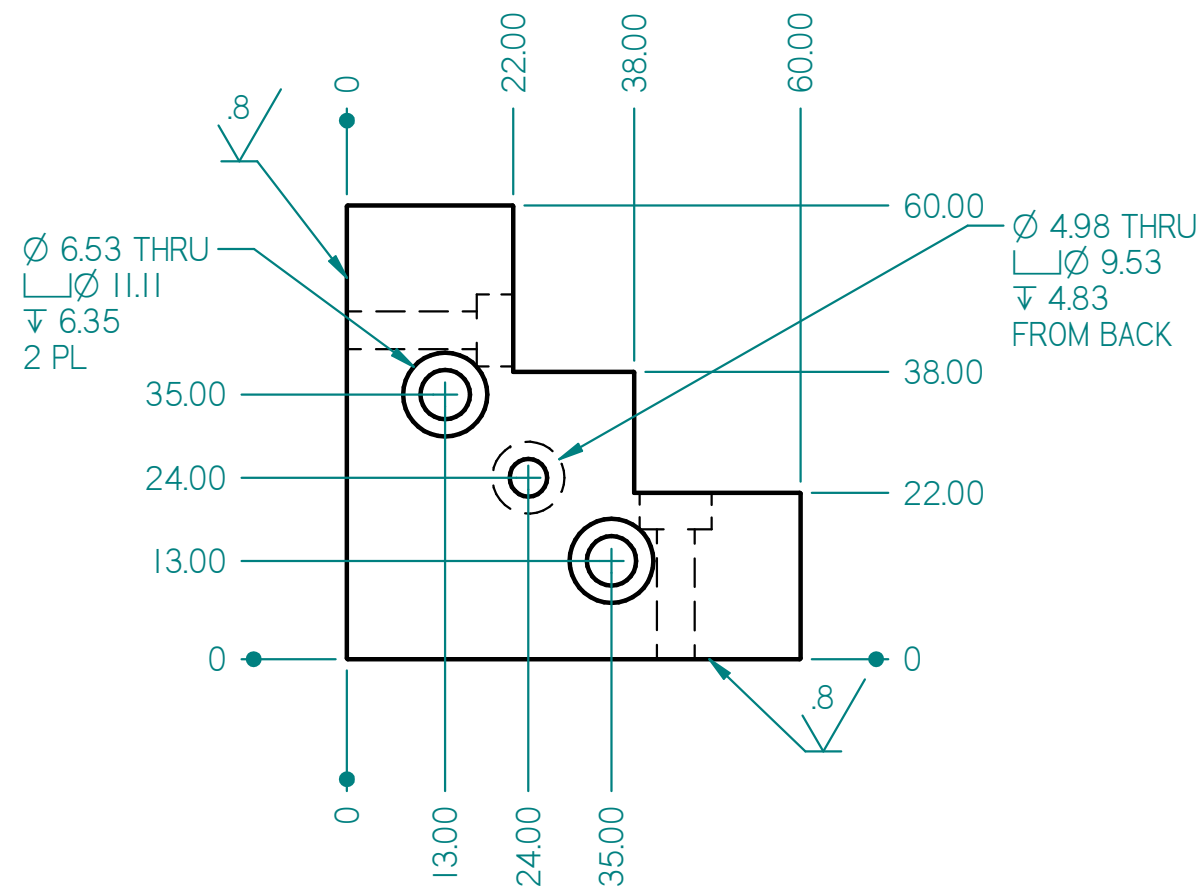
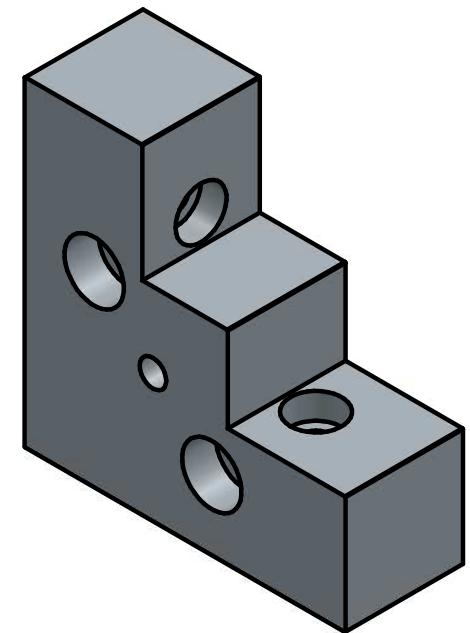
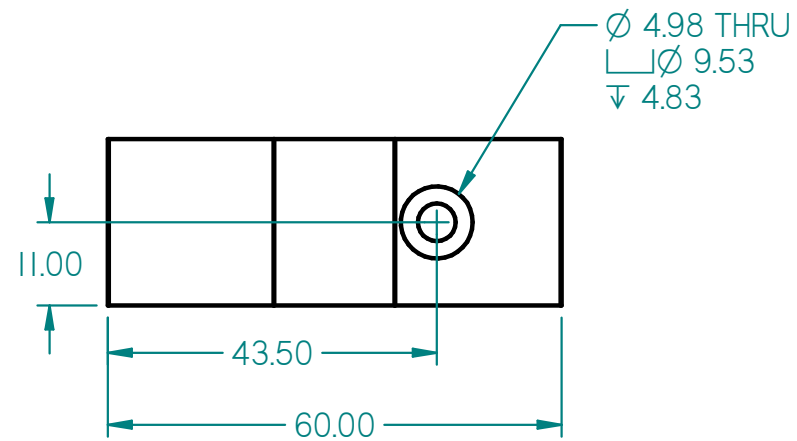


REVISION HISTORY

REV	DESCRIPTION	DATE	EO NUMBER
X1	Initial Release	10/3/2018	XXXXXXXXXX
X2	Add surface spec to 3 mounting surfaces	12/4/2018	XXXXXXXXXX



MATERIAL: 304 Stainless Steel

**MICRON OPTICS PROPRIETARY**  
 THIS DOCUMENT CONTAINS MATERIAL AND/OR INFORMATION WHICH IS THE PROPERTY OF MICRON OPTICS, INC. IT IS SUPPLIED ONLY ON A PROPRIETARY BASIS, AND MUST BE RETURNED UPON REQUEST. DO NOT CIRCULATE, REPRODUCE OR DIVULGE TO OTHER PARTIES WITHOUT WRITTEN CONSENT OF MICRON OPTICS, INC.

DIMENSIONS IN MILLIMETERS  
 INTERPRET DRAWINGS PER ASME Y 14.5 - 2009

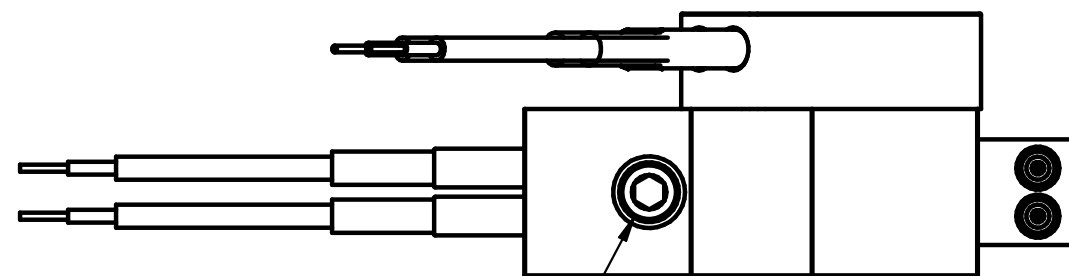
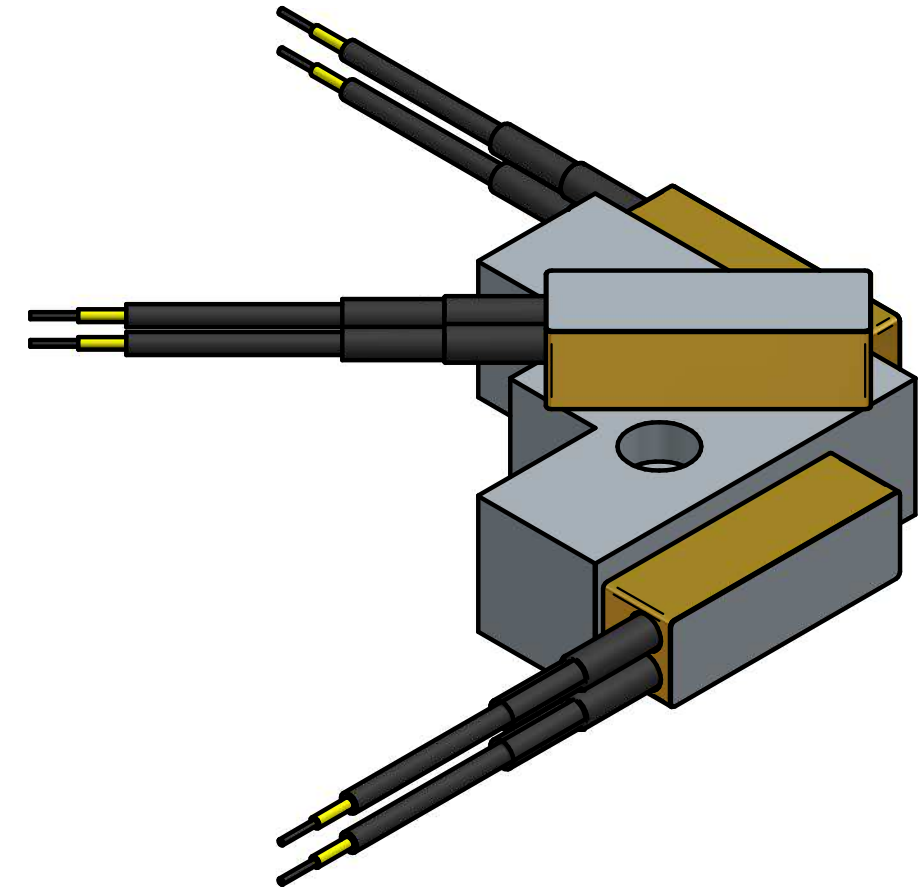
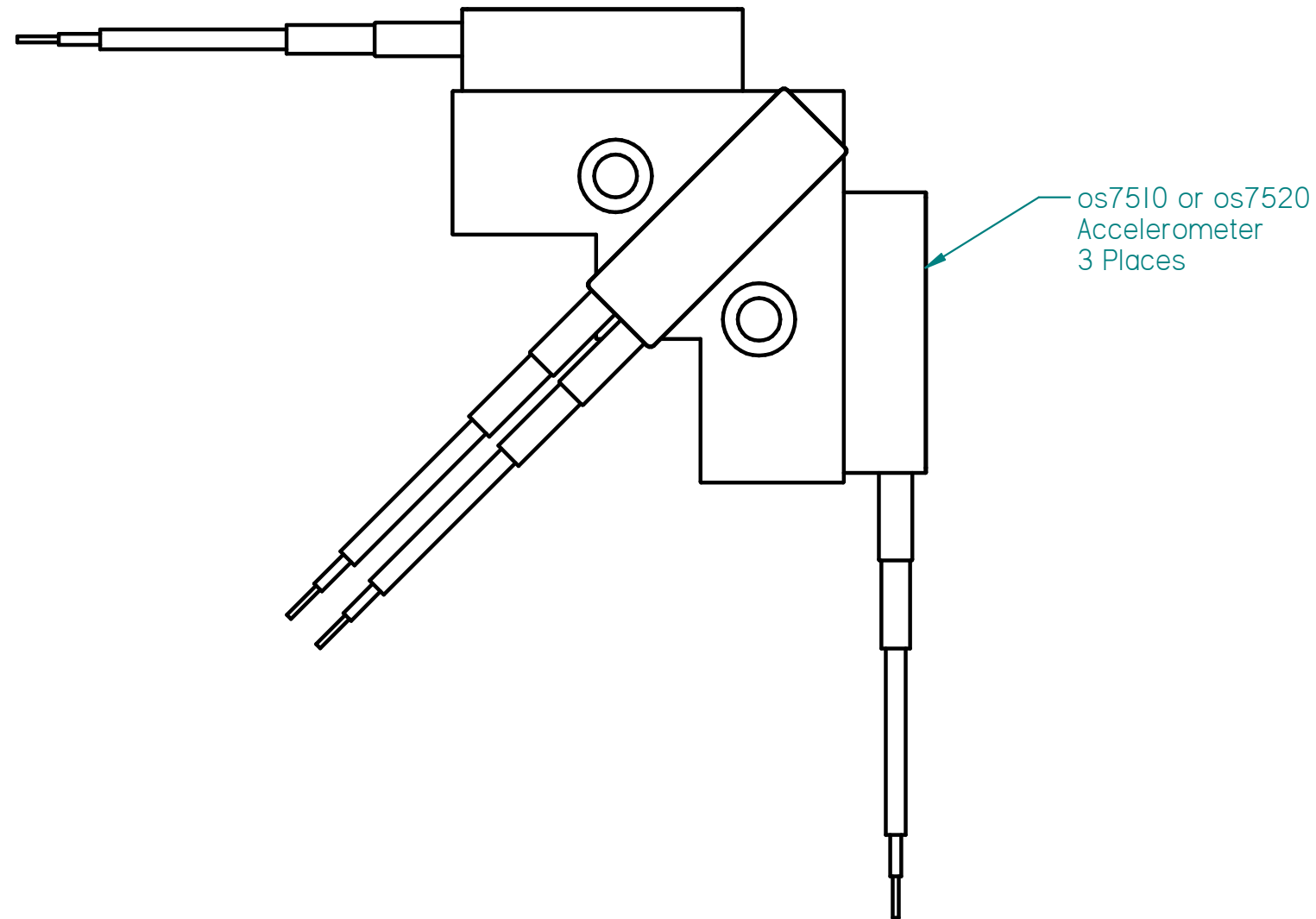
**GENERAL TOLERANCE UNLESS OTHERWISE SPECIFIED**  
 DECIMAL MM X = +/- 1, XX = +/- 0.5, XXX = +/- 0.15  
 ANGLES +/- 0.5°  
 MACHINED SURFACES = 1.6um



**GOLDENROD**  
 Triaxial Mount

PART NO <b>430-400118</b>		DRAWING NO
DRN BY <b>STEVE F.</b>	SIZE <b>B</b>	<b>SHEET 1 OF 2</b>

REVISION HISTORY			
REV	DESCRIPTION	DATE	EO NUMBER
X1	Initial Release	10/3/2018	XXXXXXXXXX
X2	Add surface spec to 3 mounting surfaces	12/4/2018	XXXXXXXXXX



<p><b>MICRON OPTICS PROPRIETARY</b> THIS DOCUMENT CONTAINS MATERIAL AND/OR INFORMATION WHICH IS THE PROPERTY OF MICRON OPTICS, INC. IT IS SUPPLIED ONLY ON A PROPRIETARY BASIS, AND MUST BE RETURNED UPON REQUEST. DO NOT CIRCULATE, REPRODUCE OR DIVULGE TO OTHER PARTIES WITHOUT WRITTEN CONSENT OF MICRON OPTICS, INC.</p>			
<p>DIMENSIONS IN MILLIMETERS INTERPRET DRAWINGS PER ASME Y 14.5 - 2009</p>		<p><b>GOLDENROD Triaxial Mount</b></p>	
<p><b>GENERAL TOLERANCE UNLESS OTHERWISE SPECIFIED</b> DECIMAL MM X = +/- 1, XX = +/- 0.5, XXX = +/- 0.15 ANGLES +/- 0.5° MACHINED SURFACES = 1.6um</p>		<p>PART NO <b>430-400118</b></p>	<p>DRAWING NO</p>
<p>DRN BY <b>STEVE F.</b></p>	<p>SIZE <b>B</b></p>	<p><b>SHEET 2 OF 2</b></p>	