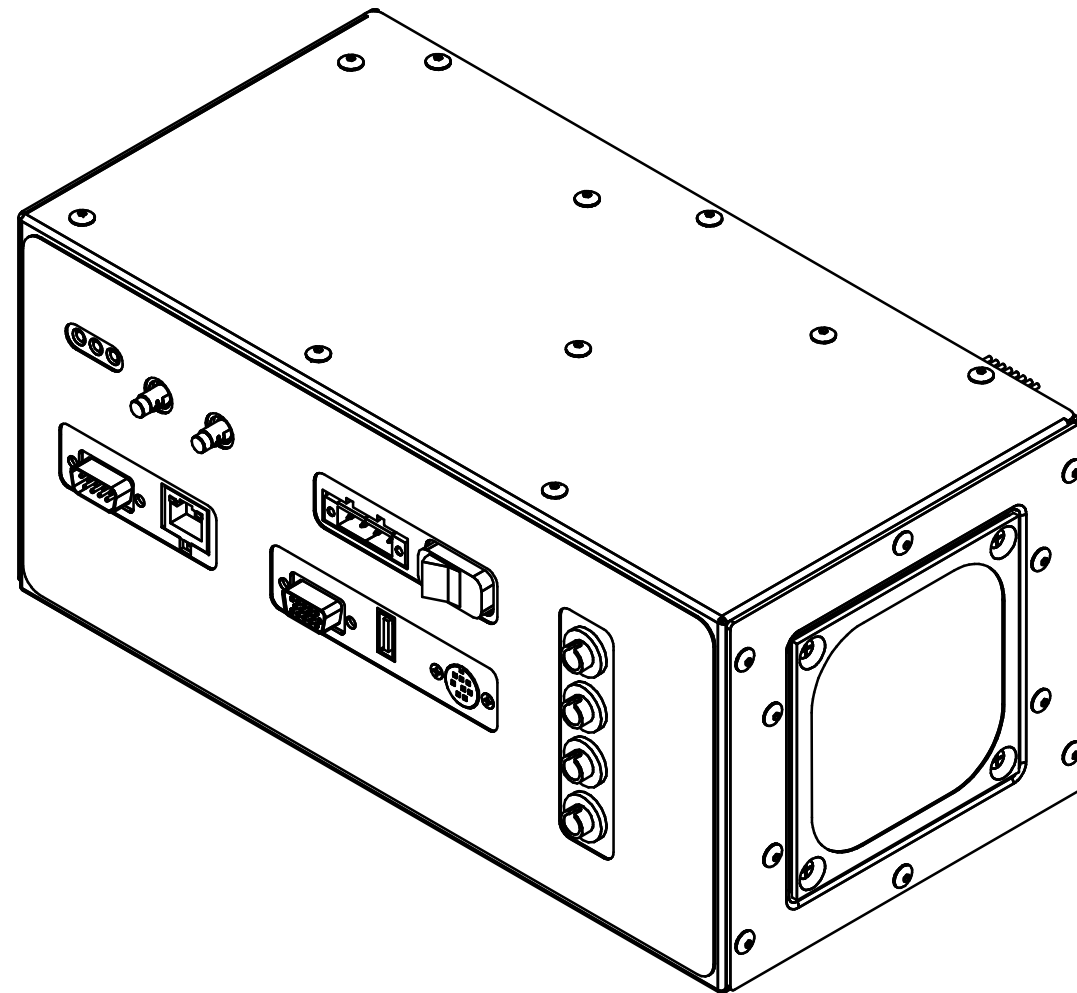
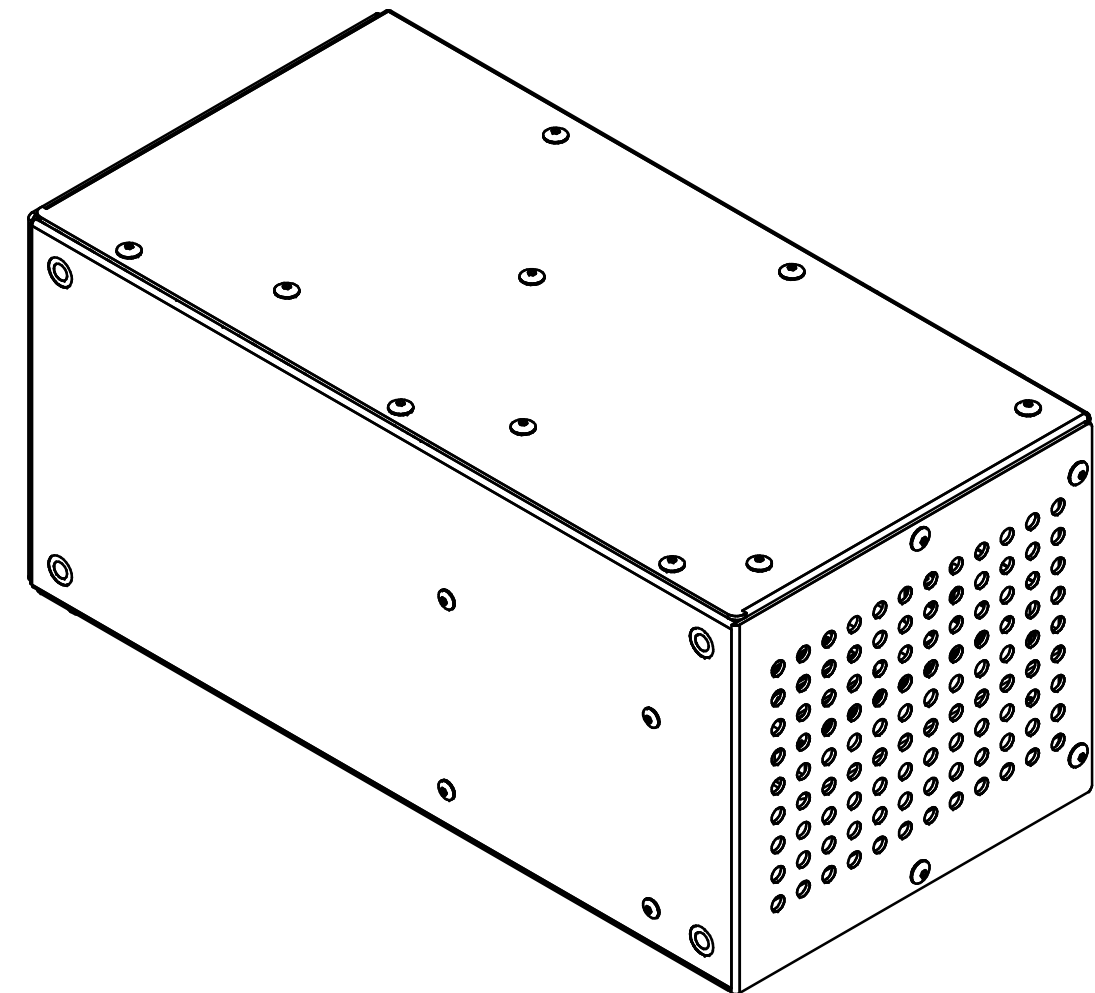


Revision History

Rev	Date	Author	Description
2	11/15/06	DQS	RELOCATED AUX PORT
3	05/19/10	RWM	updated all views
4	08/22/12	RWM	added angle mount brackets, 19" rack shelf



smI30-500 FRONT ISO VIEW

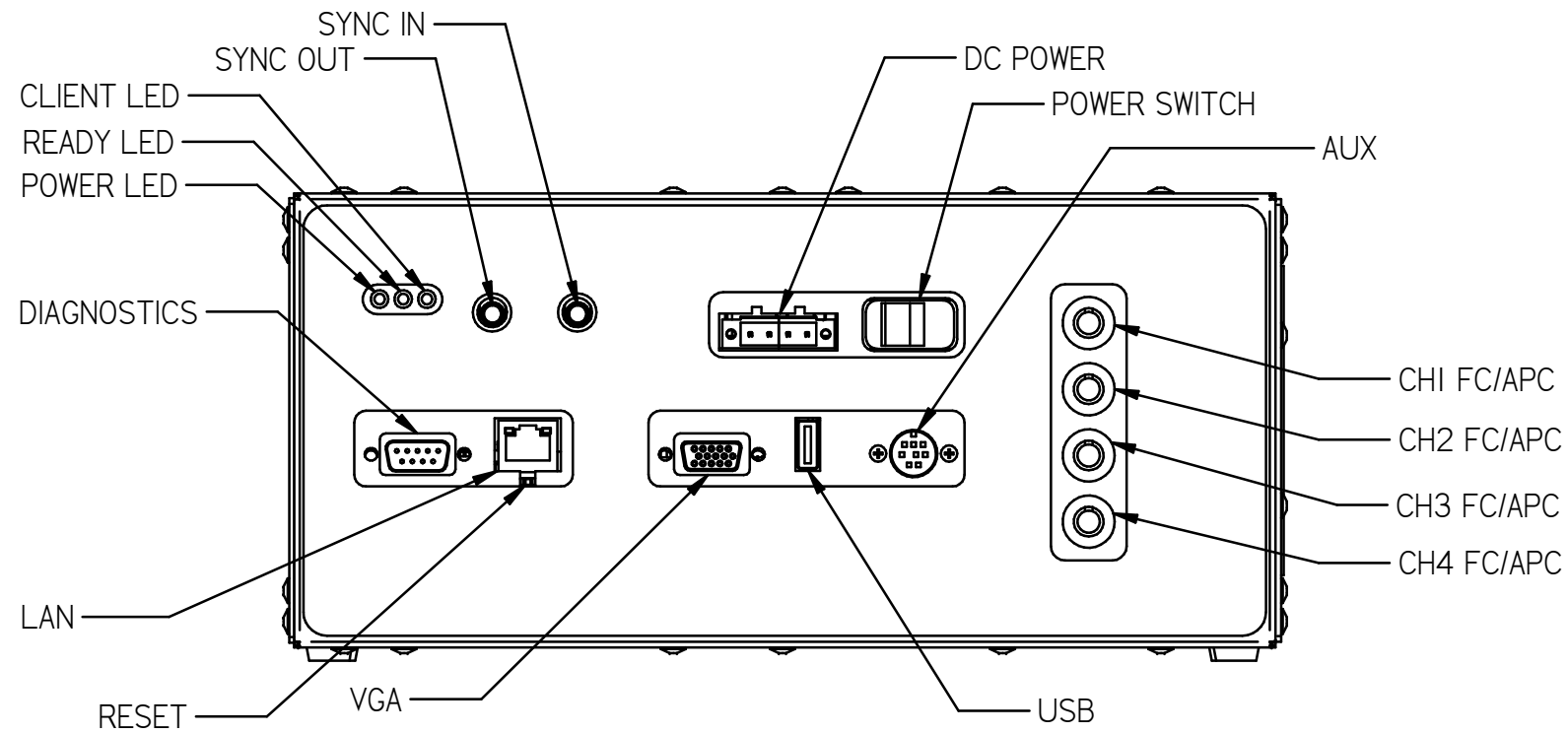


smI30-500 REAR ISO VIEW

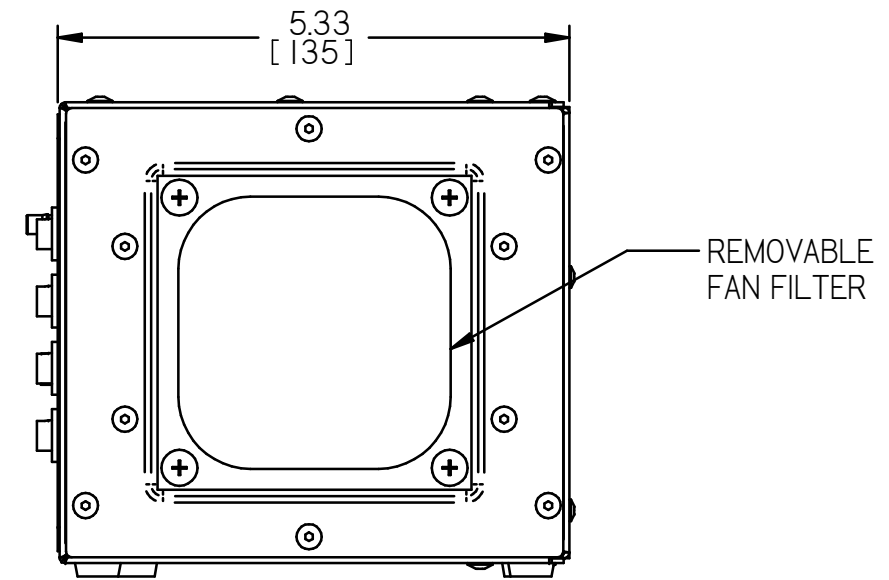
<p>UNLESS OTHERWISE NOTED DIMENSIONS IN INCHES [MM] INTERPRET DRAWINGS PER ANSI Y 14.5M - 1982</p> <p>STANDARD TOLERANCES DECIMAL INCHES X.XX = +/- .030 X.XXX = +/- .010 X.XXXX = +/- .005 ANGLES +/- 2DEG HOLE DIA = +/- .005 HOLE CL = +/- .010 FRAC IN 1 TO 36 = +/- .03 36 UP = +/- .06 MACHINED SURFACES = 125</p>			
<p>THIS DOCUMENT CONTAINS MATERIAL AND/OR INFORMATION WHICH IS THE PROPERTY OF MICRON OPTICS, INC. IT IS SUPPLIED ONLY ON A PROPRIETARY BASIS, AND MUST BE RETURNED UPON REQUEST. DO NOT CIRCULATE, REPRODUCE OR DIVULGE TO OTHER PARTIES WITHOUT WRITTEN CONSENT OF MICRON OPTICS, INC.</p>		<p>smI30</p> <p>ISO VIEWS</p> <p>file: \drawings\smI30-2a\CustomerAssyView.dft</p>	<p>REV 4</p>
DRN BY	DATE	PART NO.	
DQS			
CHKD BY	SIZE	RELEASE NO.	SHEET NO.
	B	XXXXXXX	1 of 5

Revision History

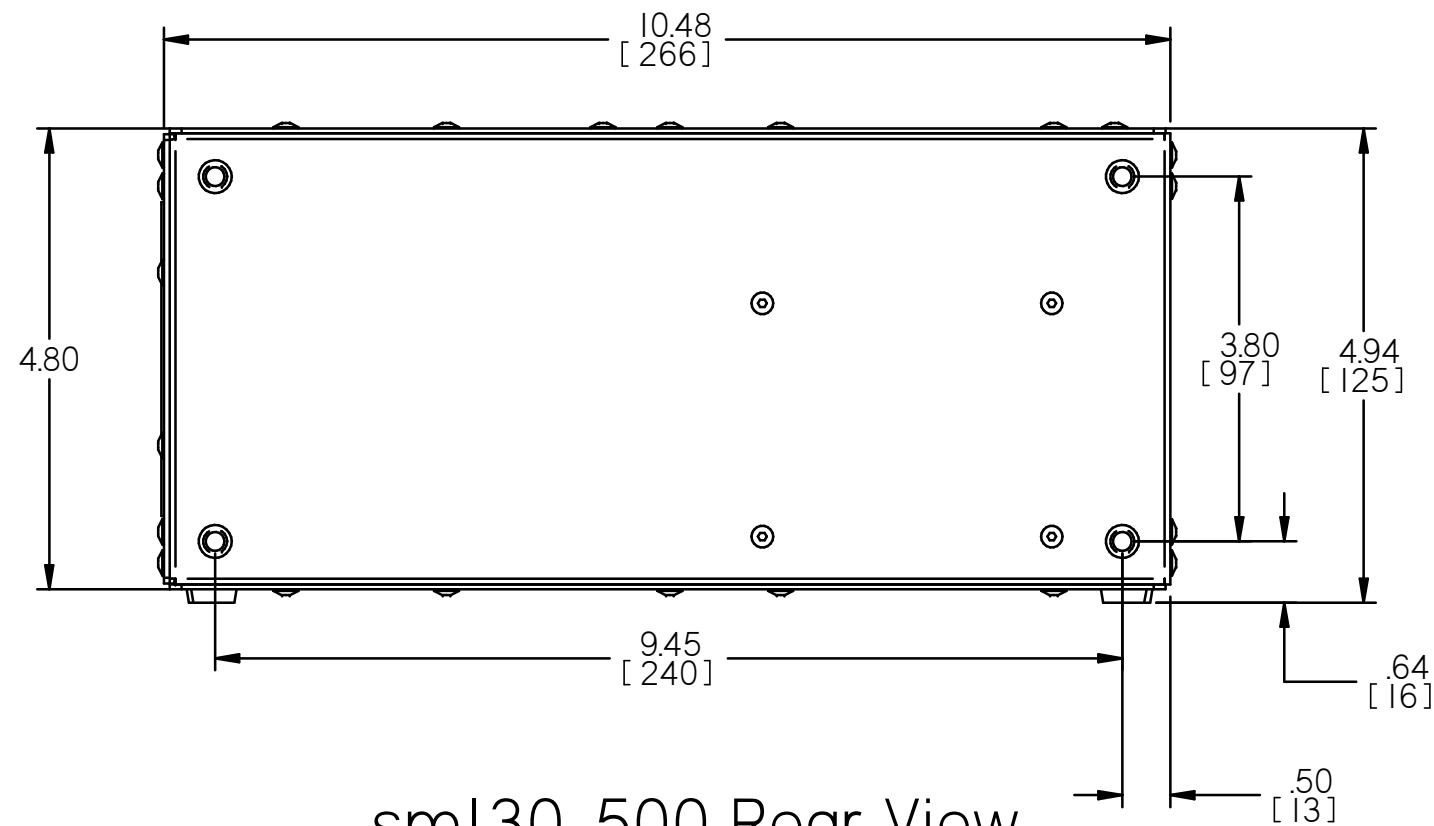
Rev	Date	Author	Description
2	11/15/06	DQS	RELOCATED AUX PORT
3	05/19/10	RWM	updated all views
4	08/22/12	RWM	added angle mount brackets, 19" rack shelf



sml30-500 Front View



sml30-500 End View - Fan

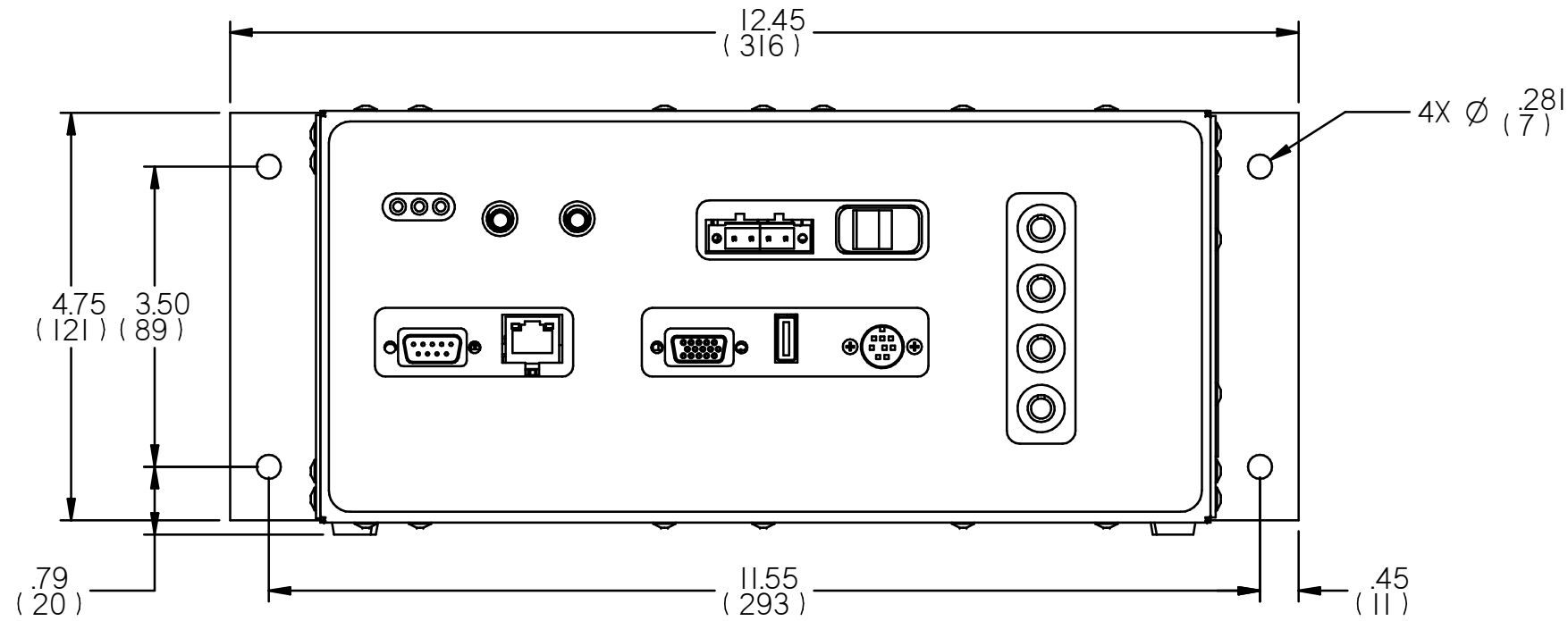


sml30-500 Rear View

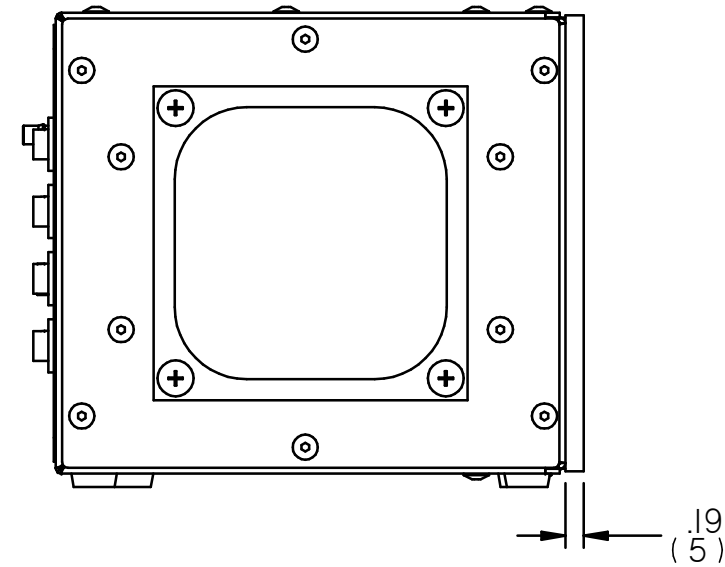
<p>UNLESS OTHERWISE NOTED DIMENSIONS IN INCHES [MM] INTERPRET DRAWINGS PER ANSI Y 14.5M - 1982</p> <p>STANDARD TOLERANCES DECIMAL INCHES X.XX = +/- .030 X.XXX = +/- .010 X.XXXX = +/- .005 ANGLES +/- 2DEG HOLE DIA = +/- .005 HOLE CL = +/- .010 FRAC IN 1 TO 36 = +/- .03 36 UP = +/- .06 MACHINED SURFACES = 125</p>			
<p>THIS DOCUMENT CONTAINS MATERIAL AND/OR INFORMATION WHICH IS THE PROPERTY OF MICRON OPTICS, INC. IT IS SUPPLIED ONLY ON A PROPRIETARY BASIS, AND MUST BE RETURNED UPON REQUEST. DO NOT CIRCULATE, REPRODUCE OR DIVULGE TO OTHER PARTIES WITHOUT WRITTEN CONSENT OF MICRON OPTICS, INC.</p>		<p>sml30 FRONT PANEL AND DIMENSIONAL DATA file: \drawings\sml30-2a\CustomerAssyView.dft</p>	
DRN BY DQS	DATE	PART NO.	REV 4
CHKD BY	SIZE B	RELEASE NO. xxxxxxx	SHEET NO. 2 of 5

Revision History

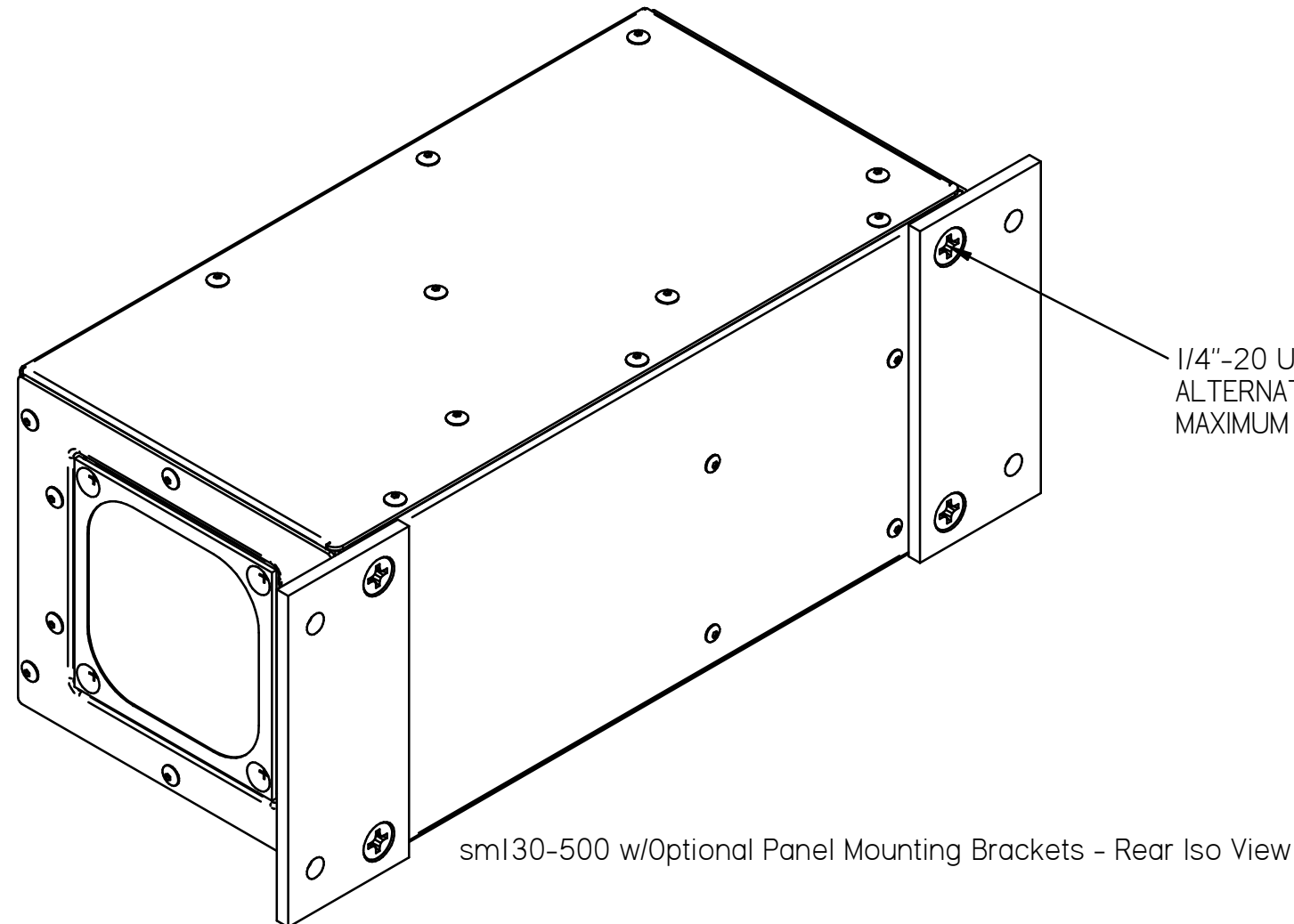
Rev	Date	Author	Description
2	11/15/06	DQS	RELOCATED AUX PORT
3	05/19/10	RWM	updated all views
4	08/22/12	RWM	added angle mount brackets, 19" rack shelf



smI30-500 w/Optional Panel Mount Brackets - Front View



smI30-500 w/Optional Panel Mount Brackets - Side View



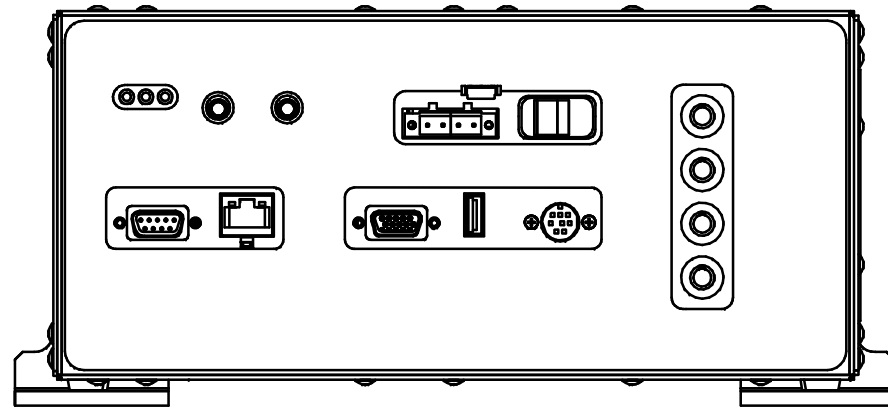
smI30-500 w/Optional Panel Mounting Brackets - Rear Iso View

1/4"-20 UNC X 0.5" FLAT HEAD SCREW, 4X
 ALTERNATE FASTENERS MAY BE USED,
 MAXIMUM ALLOWABLE THREAD PROTRUSION INTO smI30 = 0.3"

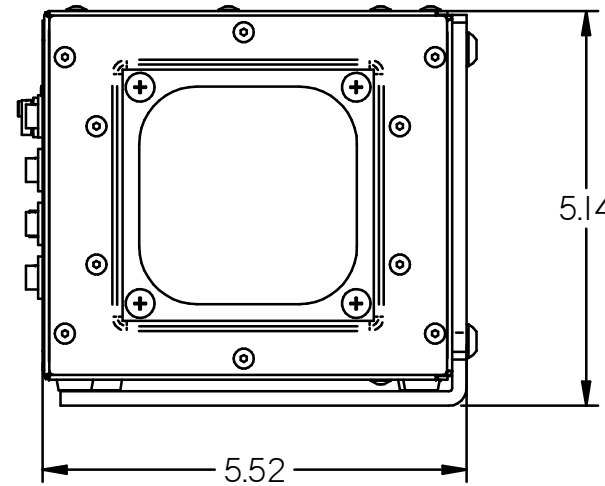
<p>UNLESS OTHERWISE NOTED DIMENSIONS IN INCHES [MM] INTERPRET DRAWINGS PER ANSI Y 14.5M - 1982</p>					
<p>STANDARD TOLERANCES DECIMAL INCHES X.XX = +/- .030 X.XXX = +/- .010 X.XXXX = +/- .005 ANGLES +/- 2DEG HOLE DIA = +/- .005 HOLE CL = +/- .010 FRAC IN 1 TO 36 = +/- .03 36 UP = +/- .06 MACHINED SURFACES = 125</p>				<p>smI30 WITH OPTIONAL PANEL MOUNT BRACKETS</p> <p>file: \drawings\smI30-2a\CustomerAssyView.dft</p>	
<p>THIS DOCUMENT CONTAINS MATERIAL AND/OR INFORMATION WHICH IS THE PROPERTY OF MICRON OPTICS, INC. IT IS SUPPLIED ONLY ON A PROPRIETARY BASIS, AND MUST BE RETURNED UPON REQUEST. DO NOT CIRCULATE, REPRODUCE OR DIVULGE TO OTHER PARTIES WITHOUT WRITTEN CONSENT OF MICRON OPTICS, INC.</p>		DRN BY DQS	DATE	PART NO.	REV 4
		CHKD BY	SIZE B	RELEASE NO. XXXXXXX	SHEET NO. 3 of 5

Revision History

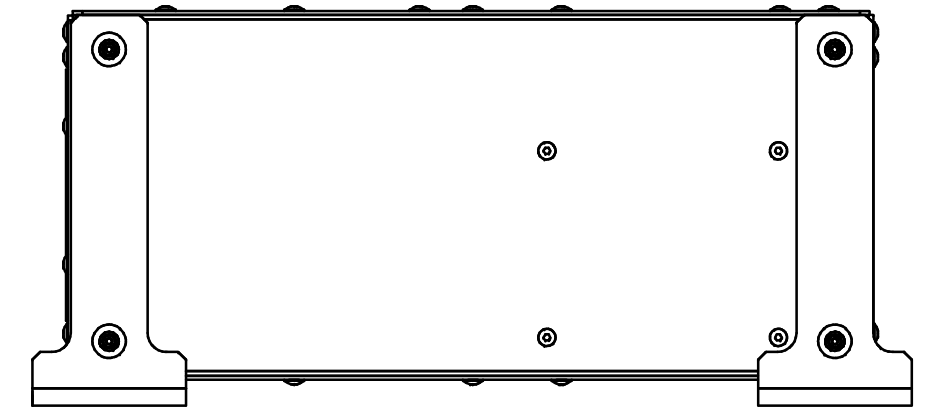
Rev	Date	Author	Description
2	11/15/06	DQS	RELOCATED AUX PORT
3	05/19/10	RWM	updated all views
4	08/22/12	RWM	added angle mount brackets, 19" rack shelf



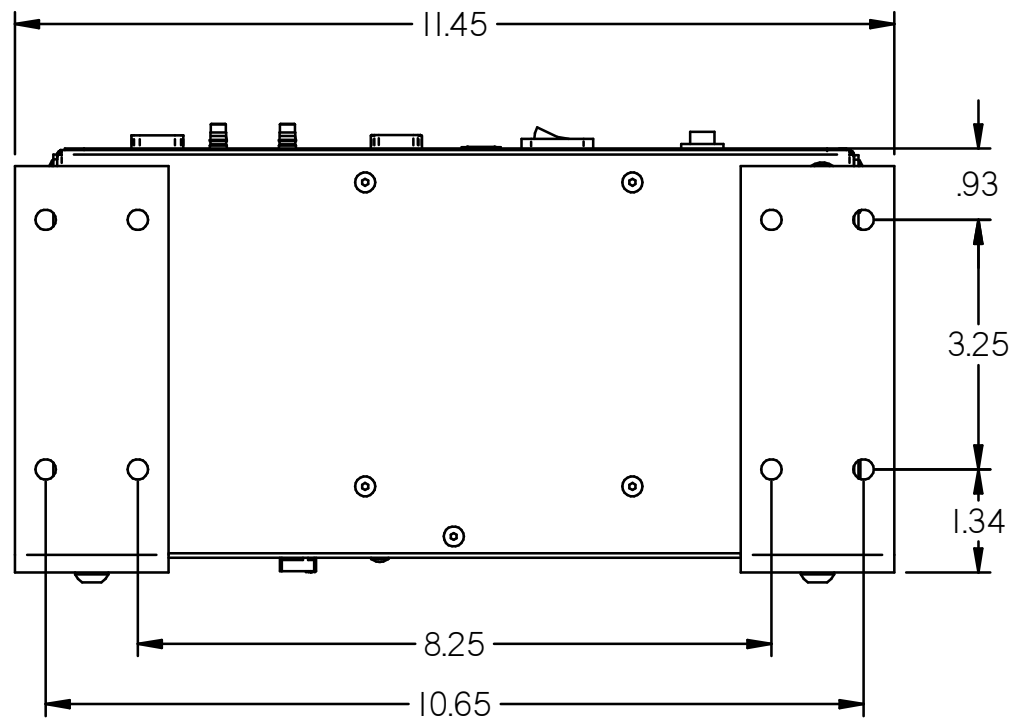
sml30 w/optional angle mount brackets - front view



sml30 w/optional angle mount brackets - side view



sml30 w/optional angle mount brackets - rear view

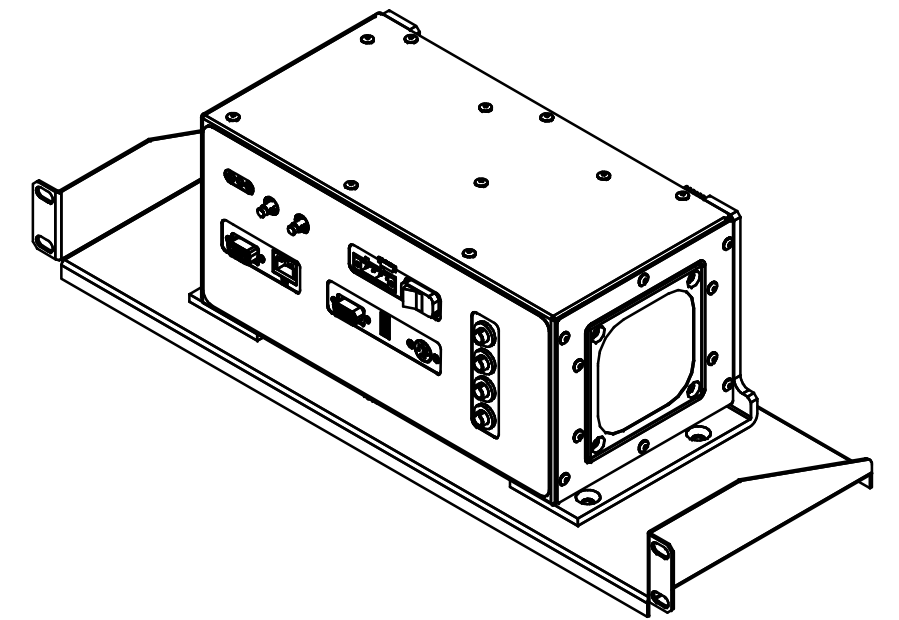
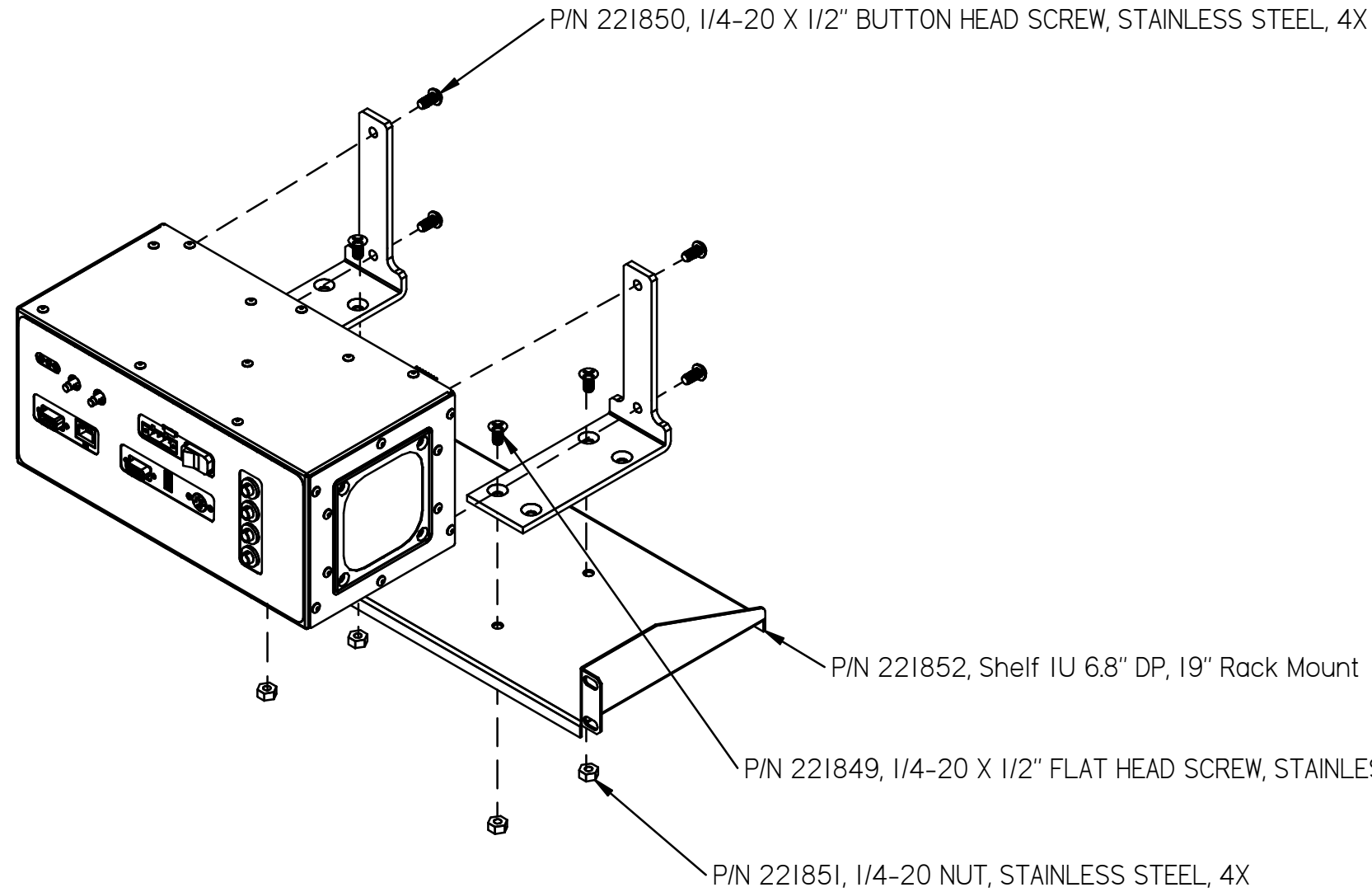


sml30 w/optional angle mount brackets - bottom view

<p>UNLESS OTHERWISE NOTED DIMENSIONS IN INCHES [MM] INTERPRET DRAWINGS PER ANSI Y 14.5M - 1982</p> <p>STANDARD TOLERANCES DECIMAL INCHES X.XX = +/- .030 X.XXX = +/- .010 X.XXXX = +/- .005 ANGLES +/- 2DEG HOLE DIA = +/- .005 HOLE CL = +/- .010 FRAC IN 1 TO 36 = +/- .03 36 UP = +/- .06 MACHINED SURFACES = 125</p>			
<p>THIS DOCUMENT CONTAINS MATERIAL AND/OR INFORMATION WHICH IS THE PROPERTY OF MICRON OPTICS, INC. IT IS SUPPLIED ONLY ON A PROPRIETARY BASIS, AND MUST BE RETURNED UPON REQUEST. DO NOT CIRCULATE, REPRODUCE OR DIVULGE TO OTHER PARTIES WITHOUT WRITTEN CONSENT OF MICRON OPTICS, INC.</p>		<p>sml30</p> <p>file: \drawings\sml30-2a\CustomerAssyView.dft</p>	<p>REV 4</p>
DRN BY	DATE	PART NO.	REV
DQS			4
CHKD BY	SIZE	RELEASE NO.	SHEET NO.
	B	XXXXXXX	4 of 5

Revision History

Rev	Date	Author	Description
2	11/15/06	DQS	RELOCATED AUX PORT
3	05/19/10	RWM	updated all views
4	08/22/12	RWM	added angle mount brackets, 19" rack shelf



smI30 w/optional angle mount brackets and rack mount shelf

smI30 w/optional angle mount brackets - assembly detail

<p>UNLESS OTHERWISE NOTED DIMENSIONS IN INCHES [MM] INTERPRET DRAWINGS PER ANSI Y 14.5M - 1982</p> <p>STANDARD TOLERANCES DECIMAL INCHES X.XX = +/- .030 X.XXX = +/- .010 X.XXXX = +/- .005 ANGLES +/- 2DEG HOLE DIA = +/- .005 HOLE CL = +/- .010 FRAC IN 1 TO 36 = +/- .03 36 UP = +/- .06 MACHINED SURFACES = 125</p>			
<p>THIS DOCUMENT CONTAINS MATERIAL AND/OR INFORMATION WHICH IS THE PROPERTY OF MICRON OPTICS, INC. IT IS SUPPLIED ONLY ON A PROPRIETARY BASIS, AND MUST BE RETURNED UPON REQUEST. DO NOT CIRCULATE, REPRODUCE OR DIVULGE TO OTHER PARTIES WITHOUT WRITTEN CONSENT OF MICRON OPTICS, INC.</p>		<p>smI30</p> <p>file: \drawings\smI30-2a\CustomerAssyView.dft</p>	<p>REV 4</p>
DRN BY	DATE	PART NO	
DQS			
CHKD BY	SIZE	RELEASE NO.	SHEET NO.
	B	XXXXXXX	5 of 5