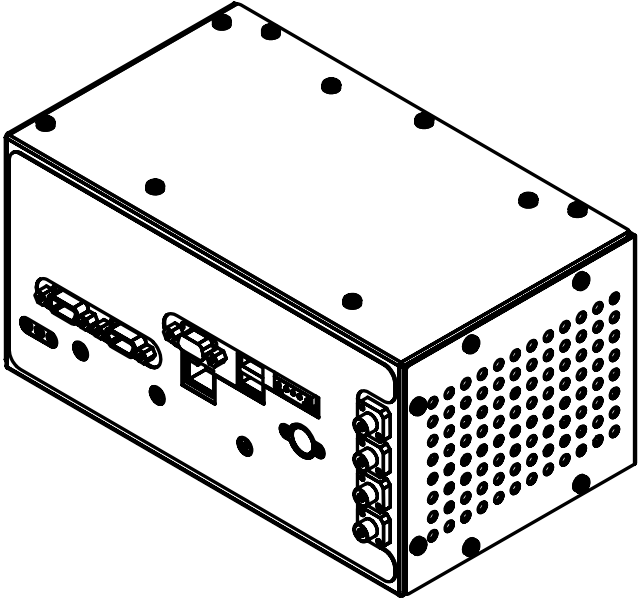
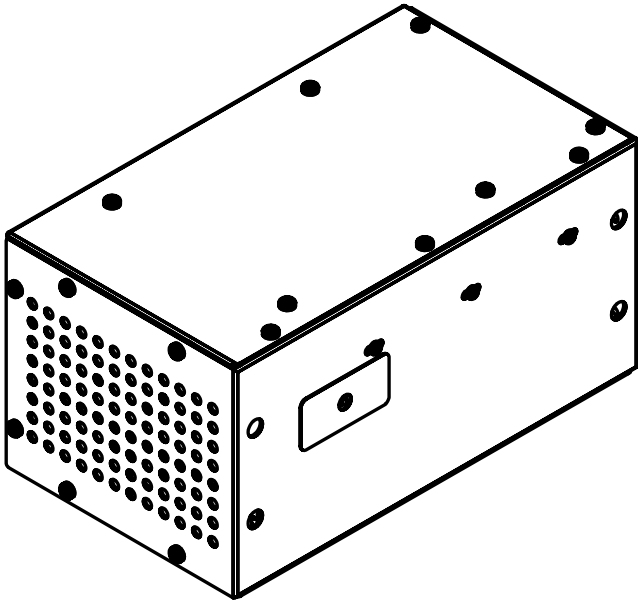



Revision History			
Rev	Date	Author	Description
I	3/9/05	DQS	INITIAL RELEASE
B	4/18/05	DQS	ADDED REAR POWER INPUT
C	5/24/05	DQS	ADDED 19" RACK MOUNT OPTION



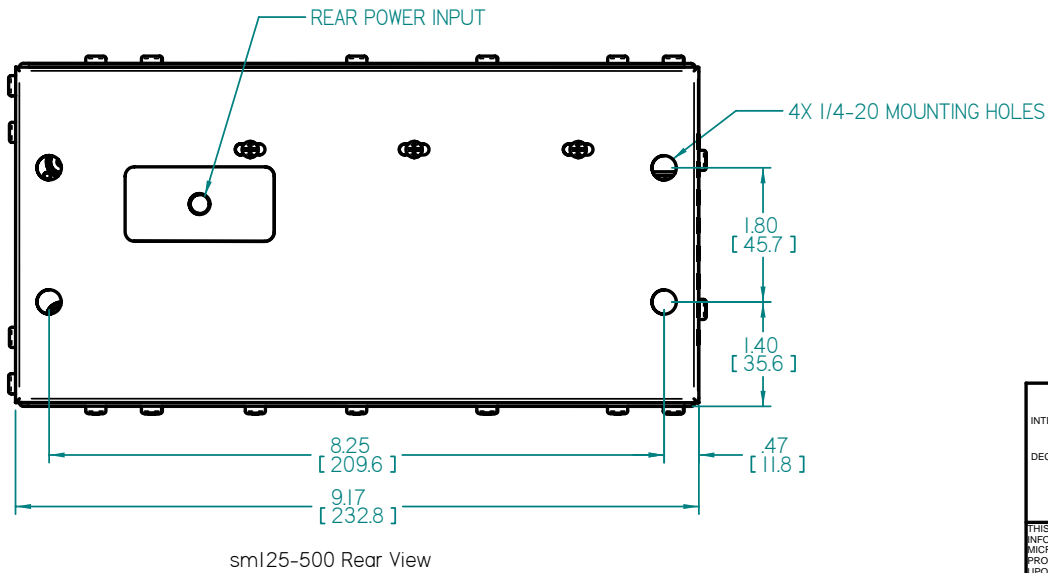
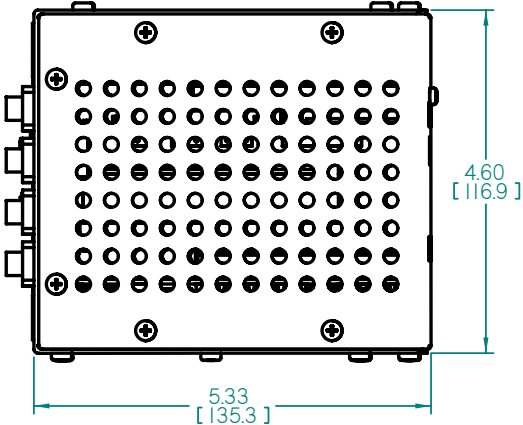
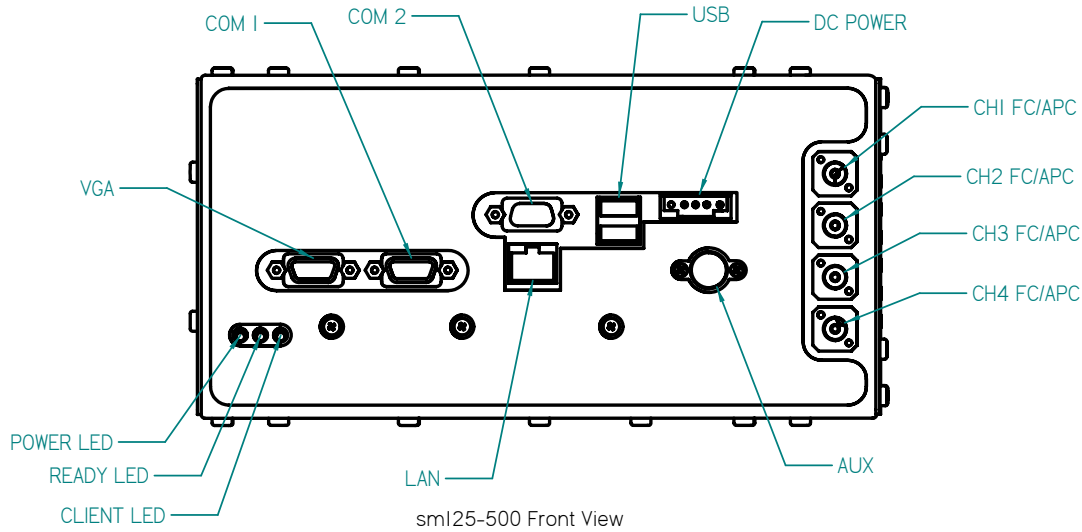
sm125-500 - Front Iso View



sm125-500 - Rear Iso View

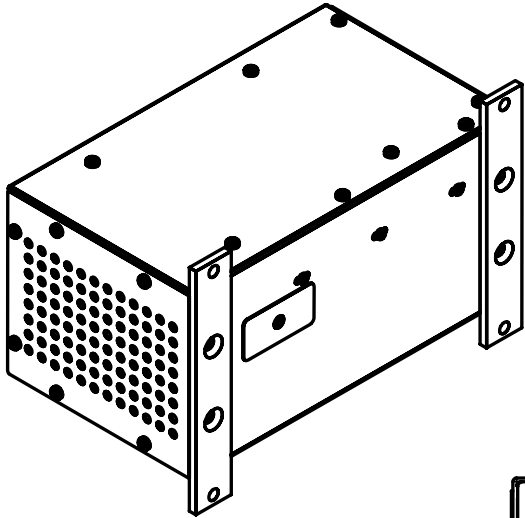
<p>UNLESS OTHERWISE NOTED DIMENSIONS IN INCHES (MM) INTERPRET DRAWINGS PER ANSI Y 14.5M - 1982</p> <p>STANDARD TOLERANCES DECIMAL INCHES .XX = +/- .030 .XXX = +/- .010 X.XXXX = +/- .005 ANGLES +/- 2DEG HOLE DIA = +/- .005 HOLE CL = +/- .010 FRAC IN 1 TO 36 = +/- .03 36 UP = +/- .06 MACHINED SURFACES = 125</p>		 <p>MICRON OPTICS, INC.</p>	
<p>THIS DOCUMENT CONTAINS MATERIAL AND/OR INFORMATION WHICH IS THE PROPERTY OF MICRON OPTICS, INC. IT IS SUPPLIED ONLY ON A PROPRIETARY BASIS, AND MUST BE RETURNED UPON REQUEST. DO NOT CIRCULATE, REPRODUCE OR DIVULGE TO OTHER PARTIES WITHOUT WRITTEN CONSENT OF MICRON OPTICS, INC.</p>		<p>sm125 ISO VIEW</p>	<p>REV C</p>
<p>DRN BY RWM</p>	<p>DATE 5/24/05</p>	<p>PART NO</p>	<p>RELEASE NO. XXXXXXX</p>
<p>CHKD BY B</p>	<p>SIZE</p>	<p>SHEET NO. I</p>	

Revision History			
Rev	Date	Author	Description
I	3/9/05	DQS	INITIAL RELEASE
B	4/18/05	DQS	ADDED REAR POWER INPUT
C	5/24/05	DQS	ADDED 19" RACK MOUNT OPTION

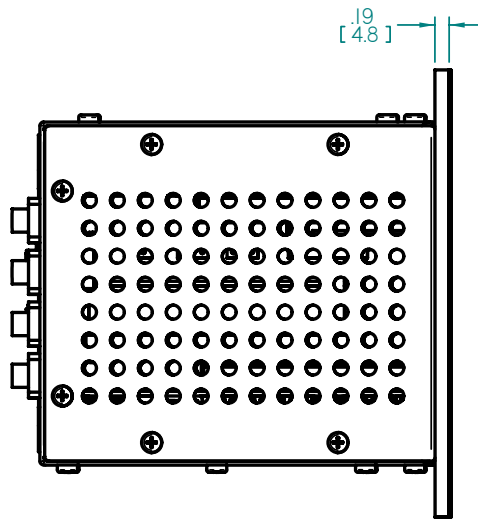


<p>UNLESS OTHERWISE NOTED DIMENSIONS IN INCHES [MM] INTERPRET DRAWINGS PER ANSI Y 14.5M - 1982</p> <p>STANDARD TOLERANCES DECIMAL INCHES XXX = +/- .030 XXXX = +/- .010 XXXXX = +/- .005 ANGLES +/- 2DEG HOLE DIA = +/- .005 HOLE CL = +/- .010 FRAC IN 1 TO 36 = +/- .03 36 UP = +/- .06 MACHINED SURFACES = 125</p>		<p>MICRON OPTICS, INC.</p>	
<p>smI25 LABEL AND DIMENSIONAL DATA</p>		<p>DRN BY: RWM DATE: 5/24/05 PART NO: REV: C</p>	
<p>THIS DOCUMENT CONTAINS MATERIAL AND/OR INFORMATION WHICH IS THE PROPERTY OF MICRON OPTICS, INC. IT IS SUPPLIED ONLY ON A PROPRIETARY BASIS, AND MUST BE RETURNED UPON REQUEST. DO NOT CIRCULATE, REPRODUCE OR DIVULGE TO OTHER PARTIES WITHOUT WRITTEN CONSENT OF MICRON OPTICS, INC.</p>		<p>CHKD BY: B SIZE: B RELEASE NO: XXXXXXXX SHEET NO: 2</p>	<p>2</p>

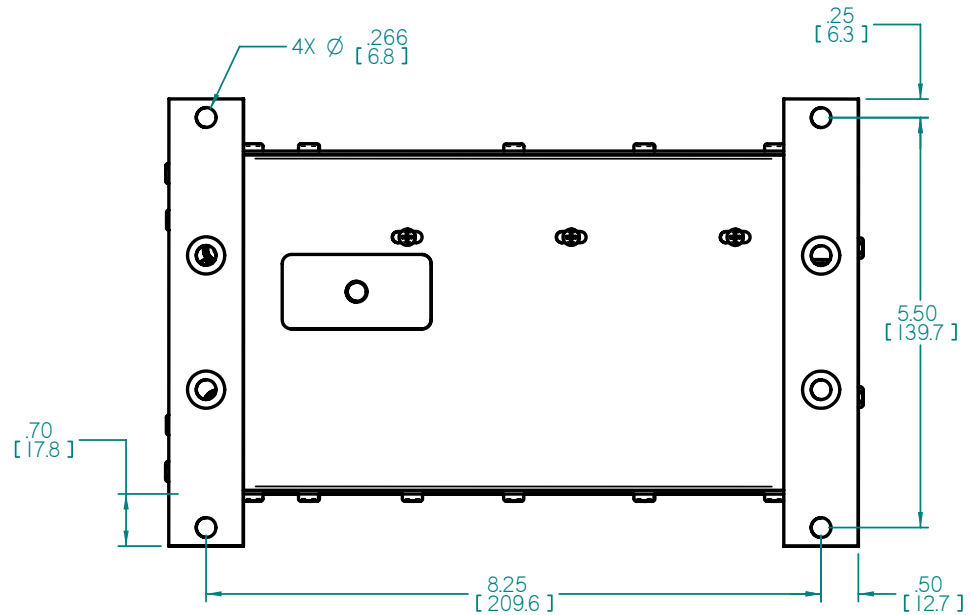
Revision History			
Rev	Date	Author	Description
I	3/9/05	DQS	INITIAL RELEASE
B	4/18/05	DQS	ADDED REAR POWER INPUT
C	5/24/05	DQS	ADDED 19" RACK MOUNT OPTION




sm125-500 w/Optional Wall Mounting Brackets - Rear Iso View



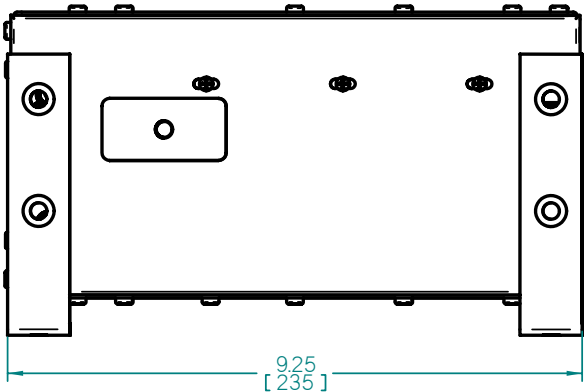
sm125-500 w/Optional Wall Mounting Brackets - Side View



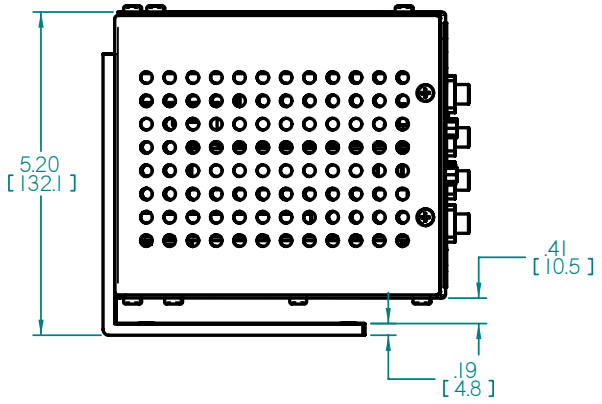
sm125-500 w/Optional Wall Mounting Brackets - Rear View

<p>UNLESS OTHERWISE NOTED DIMENSIONS IN INCHES [MM] INTERPRET DRAWINGS PER ANSI Y 14.5M - 1982</p> <p>STANDARD TOLERANCES DECIMAL INCHES .XXX = +/- .030 .XXXX = +/- .010 X.XXXX = +/- .005 ANGLES +/- 2DEG HOLE DIA = +/- .005 HOLE CL = +/- .010 FRAC IN 1 TO 36 = +/- .03 36 UP = +/- .06 MACHINED SURFACES = 125</p>		 <p>MICRON OPTICS, INC.</p>	
<p>THIS DOCUMENT CONTAINS MATERIAL AND/OR INFORMATION WHICH IS THE PROPERTY OF MICRON OPTICS, INC. IT IS SUPPLIED ONLY ON A PROPRIETARY BASIS, AND MUST BE RETURNED UPON REQUEST. DO NOT CIRCULATE, REPRODUCE OR DIVULGE TO OTHER PARTIES WITHOUT WRITTEN CONSENT OF MICRON OPTICS, INC.</p>		<p>sm125 WITH OPTIONAL WALL MOUNT BRACKETS</p>	<p>REV C</p>
DRN BY RWM	DATE 5/24/05	PART NO.	
CHKD BY	SIZE B	RELEASE NO. XXXXXXX	SHEET NO. 3

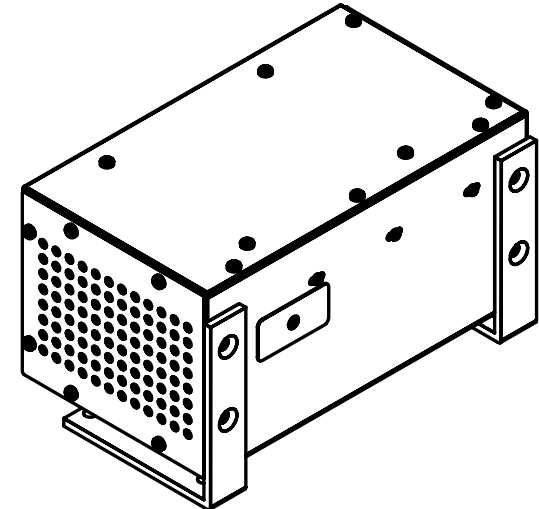
Revision History			
Rev	Date	Author	Description
I	3/9/05	DQS	INITIAL RELEASE
B	4/18/05	DQS	ADDED REAR POWER INPUT
C	5/24/05	DQS	ADDED 19" RACK MOUNT OPTION



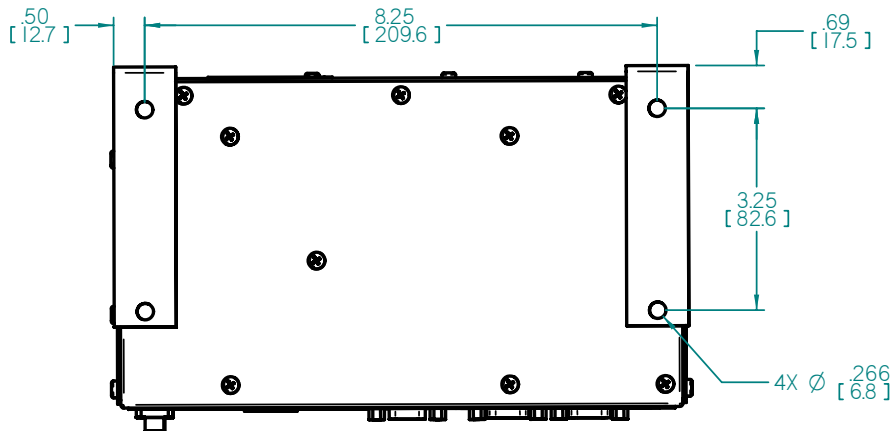
sm125-500 w/Optional Bench Mounting Brackets
Rear View



sm125-500 w/Optional Bench Mounting Brackets
Side View



sm125-500 w/Optional Bench Mounting Brackets
Rear Iso View



sm125-500 w/Optional Bench Mounting Brackets
Bottom View

UNLESS OTHERWISE NOTED
DIMENSIONS IN INCHES [MM]
INTERPRET DRAWINGS PER ANSI Y 14.5M - 1982

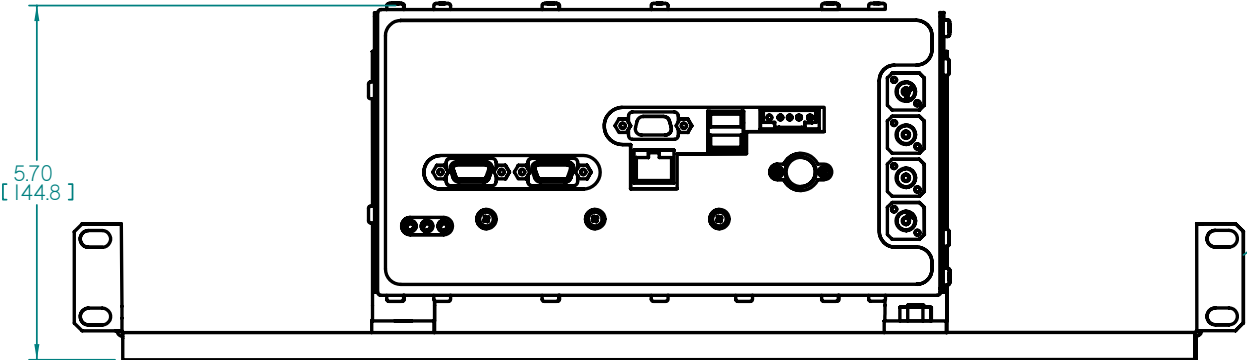
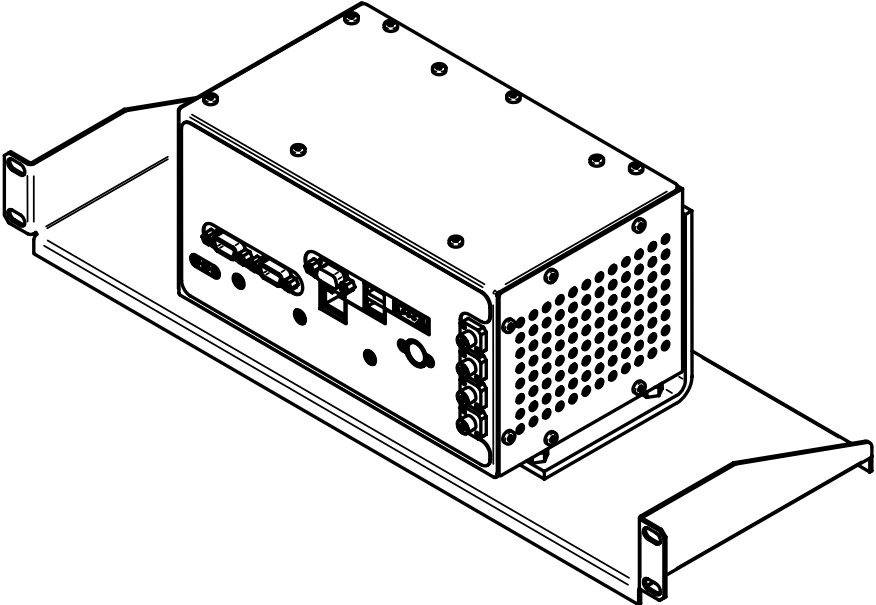
STANDARD TOLERANCES
DECIMAL INCHES .XXX = +/- .030 .XXX = +/- .010
X.XXXX = +/- .005 ANGLES +/- .2DEG
HOLE DIA = +/- .005 HOLE CL = +/- .010
FRAC IN 1 TO 36 = +/- .03 36 UP = +/- .06
MACHINED SURFACES = 125



sm125
WITH OPTIONAL BENCH MOUNTING BRACKETS

THIS DOCUMENT CONTAINS MATERIAL AND/OR INFORMATION WHICH IS THE PROPERTY OF MICRON OPTICS, INC. IT IS SUPPLIED ONLY ON A PROPRIETARY BASIS, AND MUST BE RETURNED UPON REQUEST. DO NOT CIRCULATE, REPRODUCE OR DIVULGE TO OTHER PARTIES WITHOUT WRITTEN CONSENT OF MICRON OPTICS, INC.		DRN BY RWM	DATE 5/24/05	PART NO	REV C
CHKD BY B	SIZE	RELEASE NO. XXXXXXX	SHEET NO.	4	

Revision History			
Rev	Date	Author	Description
I	3/9/05	DQS	INITIAL RELEASE
B	4/18/05	DQS	ADDED REAR POWER INPUT
C	5/24/05	DQS	ADDED 19" RACK MOUNT OPTION



IU MOUNTING TABS

UNLESS OTHERWISE NOTED
 DIMENSIONS IN INCHES [MM]
 INTERPRET DRAWINGS PER ANSI Y 14.5M - 1982

STANDARD TOLERANCES
 DECIMAL INCHES .XXX = +/- .030 .XXX = +/- .010
 .XXXX = +/- .005 ANGLES +/- .2DEG
 HOLE DIA = +/- .005 HOLE CL = +/- .010
 FRAC IN 1 TO 36 = +/- .03 36 UP = +/- .06
 MACHINED SURFACES = 125



MICRON OPTICS, INC.

sm125
 with OPTIONAL 19" RACK MOUNT

THIS DOCUMENT CONTAINS MATERIAL AND/OR INFORMATION WHICH IS THE PROPERTY OF MICRON OPTICS, INC. IT IS SUPPLIED ONLY ON A PROPRIETARY BASIS, AND MUST BE RETURNED UPON REQUEST. DO NOT CIRCULATE, REPRODUCE OR DIVULGE TO OTHER PARTIES WITHOUT WRITTEN CONSENT OF MICRON OPTICS, INC.		DRN BY RWM	DATE 5/24/05	PART NO.	REV C
CHKD BY	SIZE B	RELEASE NO. XXXXXXX	SHEET NO. 5		