
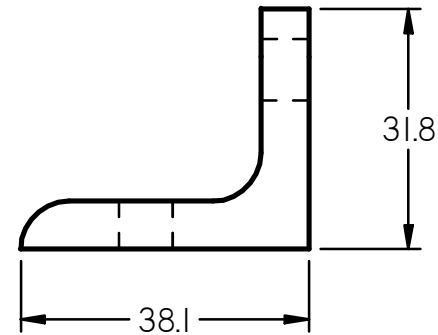
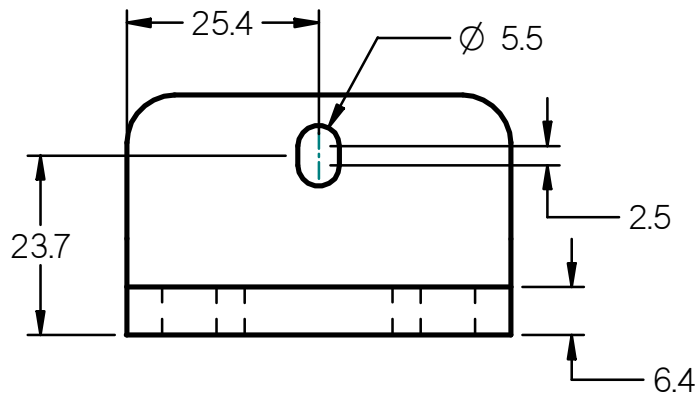
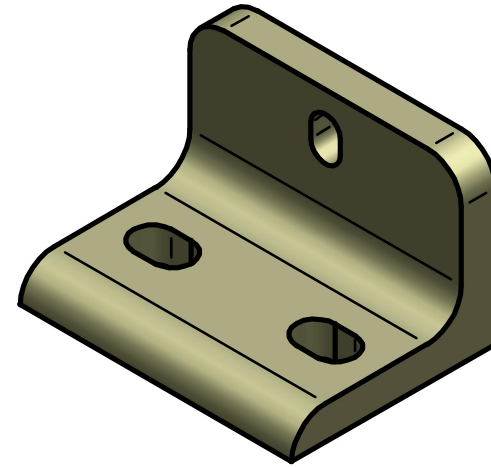
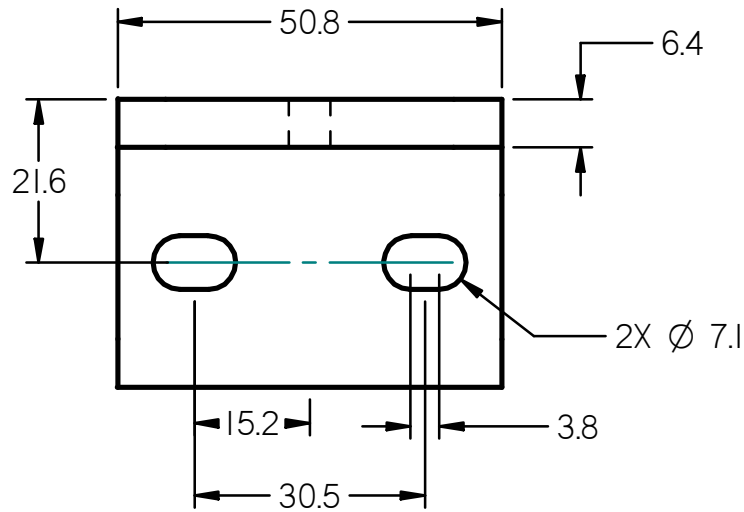


- NOTES:
 1. ALL DIMENSIONS SHOWN IN MILLIMETERS.
 2. SHAFT SHOWN IN RETRACTED POSITION, WILL EXTEND 50 MM TO THE LEFT.

MICRON OPTICS - PROPRIETARY
 THIS DOCUMENT CONTAINS PROPRIETARY INFORMATION AND MAY NOT BE REPRODUCED IN WHOLE OR PART WITHOUT THE EXPRESSED WRITTEN PERMISSION OF MICRON OPTICS INC. FURTHER, NO USE OF THE INFORMATION CONTAINED HEREIN MAY BE MADE WITHOUT FIRST SECURING THE PRIOR WRITTEN APPROVAL OF MICRON OPTICS.

IP67 GAGE - 50 MM os5100 DISPLACEMENT GAGE			
DESIGNED BY DQS	DRAWN BY	FINAL APPROVAL	SIZE B SHEET NO. 1 of 4
 MICRON OPTICS			DRAWING NO. DQS110527



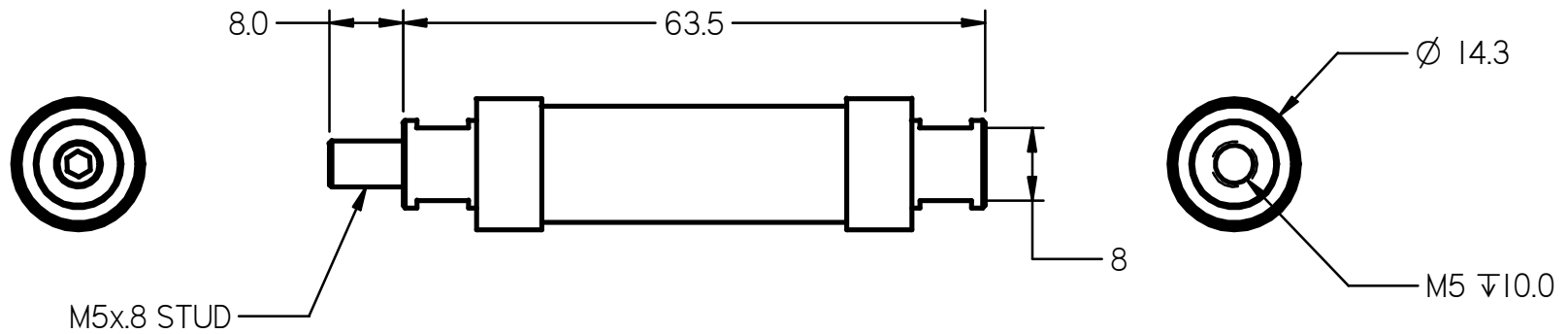
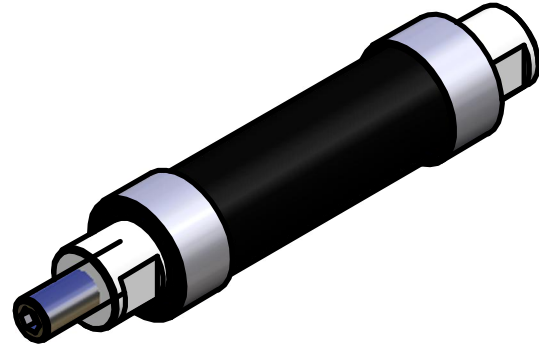
ISSUE 2 - 9/30/2011 - UPDATED GRAPHICS

MATERIAL

MICRON OPTICS - PROPRIETARY	
THIS DOCUMENT CONTAINS PROPRIETARY INFORMATION AND MAY NOT BE REPRODUCED IN WHOLE OR PART WITHOUT THE EXPRESSED WRITTEN PERMISSION OF MICRON OPTICS, INC. FURTHER, NO USE OF THE INFORMATION CONTAINED HEREIN MAY BE MADE WITHOUT FIRST SECURING THE PRIOR WRITTEN APPROVAL OF MICRON OPTICS INC.	
THIS METRIC DRAWING HAS BEEN PREPARED IN ACCORDANCE WITH ANSI Y14.5M - 1982. DIMENSIONS ARE IN MILLIMETERS. INCHES ARE IN [] AND ARE FOR REFERENCE.	
GENERAL TOLERANCES:	4 PLACE DECIMAL +/- .0005
	3 PLACE DECIMAL +/- .003
	2 PLACE DECIMAL +/- .01
	ANGULAR DIM. +/- 1 DEG
UNLESS OTHERWISE SPECIFIED, BREAK ALL SHARP EDGES	

ANGLE BRACKET MOUNT			
os5100 DISPLACEMENT GAGE			

DESIGNED BY DQS	DRAWN BY	FINAL APPROVAL	SIZE A	SHEET NO. 2 of 4
			DRAWING NO. DQS110527	



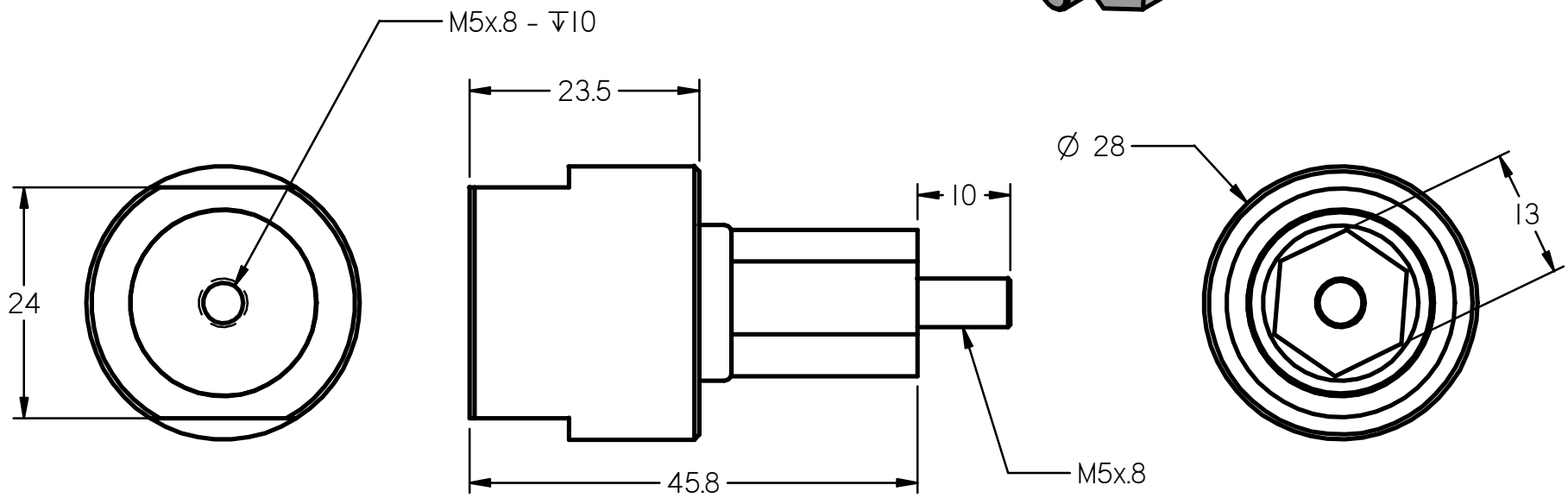
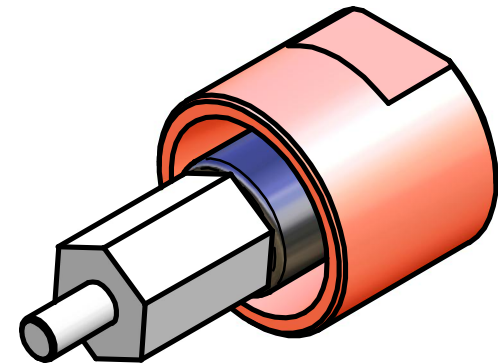
UNIVERSAL JOINT ASSEMBLY

<p>MICRON OPTICS - PROPRIETARY</p> <p>THIS DOCUMENT CONTAINS PROPRIETARY INFORMATION AND MAY NOT BE REPRODUCED IN WHOLE OR PART WITHOUT THE EXPRESSED WRITTEN PERMISSION OF MICRON OPTICS, INC. FURTHER, NO USE OF THE INFORMATION CONTAINED HEREIN MAY BE MADE WITHOUT FIRST SECURING THE PRIOR WRITTEN APPROVAL OF MICRON OPTICS INC.</p>		<p>UNIVERSAL JOINT os5100 DISPLACEMENT GAGE</p>				
<p>THIS METRIC DRAWING HAS BEEN PREPARED IN ACCORDANCE WITH ANSI Y14.5M - 1982. DIMENSIONS ARE IN MILLIMETERS. INCHES ARE IN [] AND ARE FOR REFERENCE.</p>		DESIGNED BY DQS	DRAWN BY	FINAL APPROVAL	SIZE A	SHEET NO. 3 of 4
<p>GENERAL TOLERANCES: UNLESS OTHERWISE SPECIFIED, BREAK ALL SHARP EDGES</p>		4 PLACE DECIMAL +/- .0005	3 PLACE DECIMAL +/- .003	2 PLACE DECIMAL +/- .01	ANGULAR DIM. +/- 1 DEG	DRAWING NO. DQS110527

ISSUE 2 - 9/30/2011 - UPDATED GRAPHICS

MATERIAL





MICRON OPTICS - PROPRIETARY
 THIS DOCUMENT CONTAINS PROPRIETARY INFORMATION AND MAY NOT BE REPRODUCED IN WHOLE OR PART WITHOUT THE EXPRESSED WRITTEN PERMISSION OF MICRON OPTICS, INC. FURTHER, NO USE OF THE INFORMATION CONTAINED HEREIN MAY BE MADE WITHOUT FIRST SECURING THE PRIOR WRITTEN APPROVAL OF MICRON OPTICS INC.

THIS METRIC DRAWING HAS BEEN PREPARED IN ACCORDANCE WITH ANSI Y14.5M - 1982. DIMENSIONS ARE IN MILLIMETERS. INCHES ARE IN [] AND ARE FOR REFERENCE.

GENERAL TOLERANCES:
 4 PLACE DECIMAL +/- .0005
 3 PLACE DECIMAL +/- .003
 2 PLACE DECIMAL +/- .01
 ANGULAR DIM. +/- 1 DEG

UNLESS OTHERWISE SPECIFIED,
 BREAK ALL SHARP EDGES

SAFETY DISCONNECT
os5100 DISPLACEMENT GAGE

DESIGNED BY	DQS	DRAWN BY	FINAL APPROVAL	SIZE	A	SHEET NO.	4 of 4
						DRAWING NO.	DQS110527

ISSUE 2 - 9/30/2011 - UPDATED GRAPHICS

MATERIAL