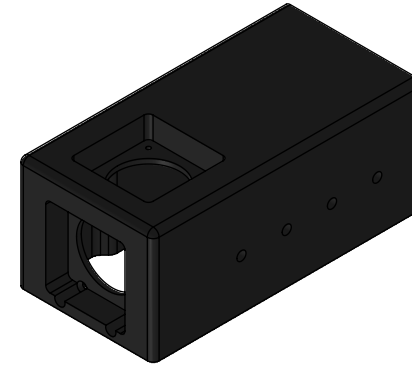
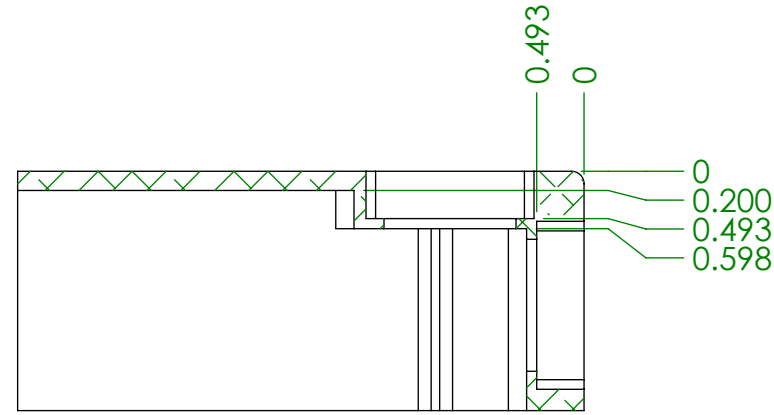
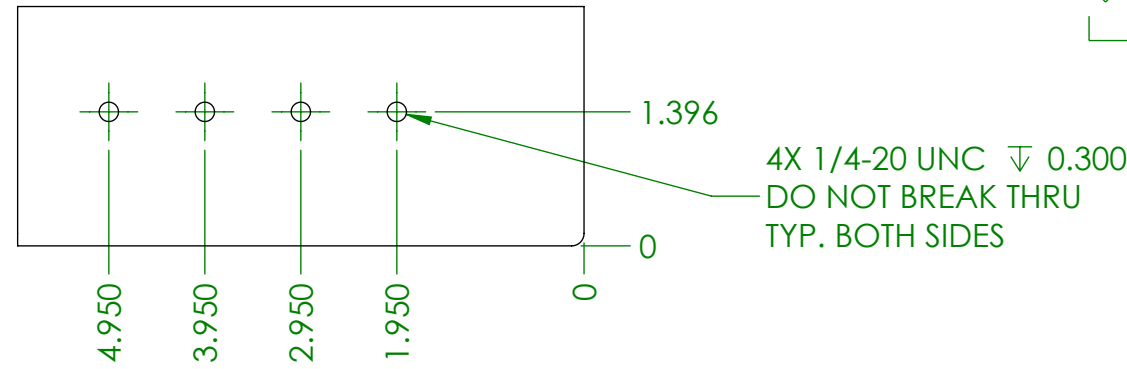
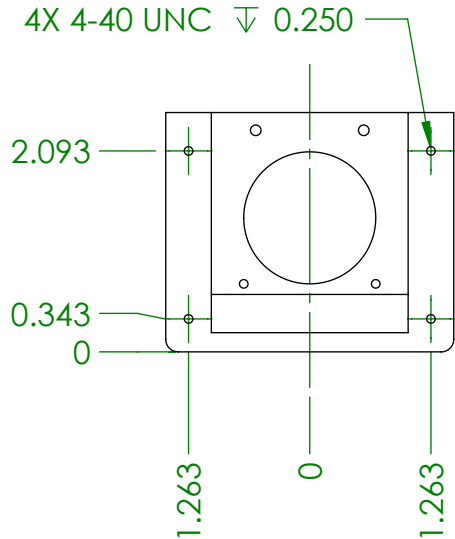
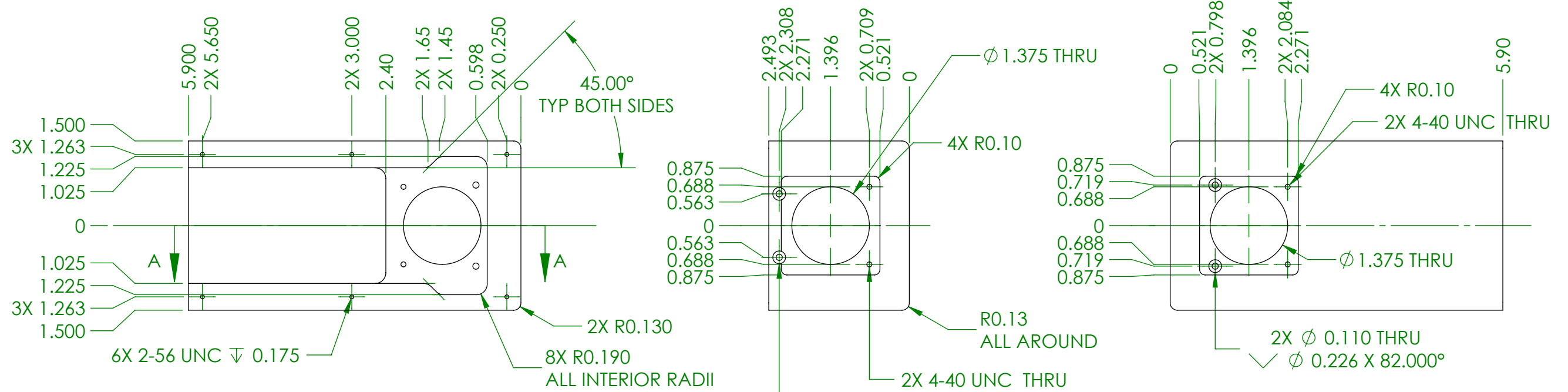
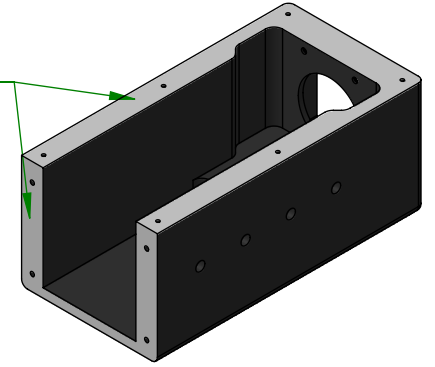


| REVISION HISTORY |       |                 |       |
|------------------|-------|-----------------|-------|
| REV.             | ECO # | DESCRIPTION     | DATE  |
| A                | 13733 | INITIAL RELEASE | 04/20 |
|                  |       |                 |       |
|                  |       |                 |       |

SECTION A-A  
SCALE 1:2



RE-MACHINE THESE AREAS  
AFTER ANODIZING  
EXPOSE RAW CONTACT SURFACE



ANY AND ALL INFORMATION CONTAINED IN THIS DRAWING IS CONFIDENTIAL AND CONSIDERED TO BE PROPERTY OF TERAMETRIX, LLC. USE OR REPRODUCTION OF ANY INFORMATION CONTAINED HEREIN IS PROHIBITED WITHOUT THE EXPRESS WRITTEN PERMISSION OF TERAMETRIX, LLC.

TOLERANCES (UNLESS OTHERWISE NOTED)  
 .XX ±.01      THREADS: CLASS 2A OR 2B  
 .XXX ±.005    HOLE DIAMETERS: +.003/-.000  
 ANGLES ±0°30'    DIAMETERS ON COMMON C TO BE CONCENTRIC WITHIN .005 T.I.R.  
 MACHINED SURFACES: √ AND FLAT WITHIN .002 IN/IN  
 PERPENDICULAR SURFACES: SQUARE WITHIN .002 IN/IN  
 NON-MACHINED SURFACES: FLAT WITHIN .003 IN/IN  
 REMOVE BURRS AND BREAK EDGES .010 MAX  
 MACHINED FILLET RADIUS .020 MAX  
 REF. DIMENSIONS HAVE NO TOLERANCE  
 DIMENSIONS IN INCHES, DIMENSIONS PER ANSI Y14.5  
 DO NOT SCALE DRAWING

|  |   |                   |            |
|--|---|-------------------|------------|
| <br>Ann Arbor, Michigan, USA<br>www.terametrix.com | TITLE REDUCED INDUSTRIAL COLLINEAR SENSOR, BASE |                   |            |
|  | MAT'L 6061-T6 ALUMINUM                          |                   |            |
| FINISH SATIN BRUSH & BLACK ANODIZE                 |   |                   |            |
| <br>THIRD ANGLE PROJECTION                         | SIZE B  | SCALE 1:2         | SHT. 1 / 1 |
| DRAWN BY B. SCHOFIELD                              | DATE 4/20/2020                                  | REV. A            |            |
| CHECKED BY M. MURDOCK                              | DATE 4/22/2020                                  | PART NO. 96570-01 |            |

DFM119-2 REV D