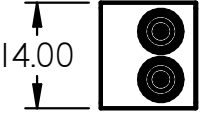
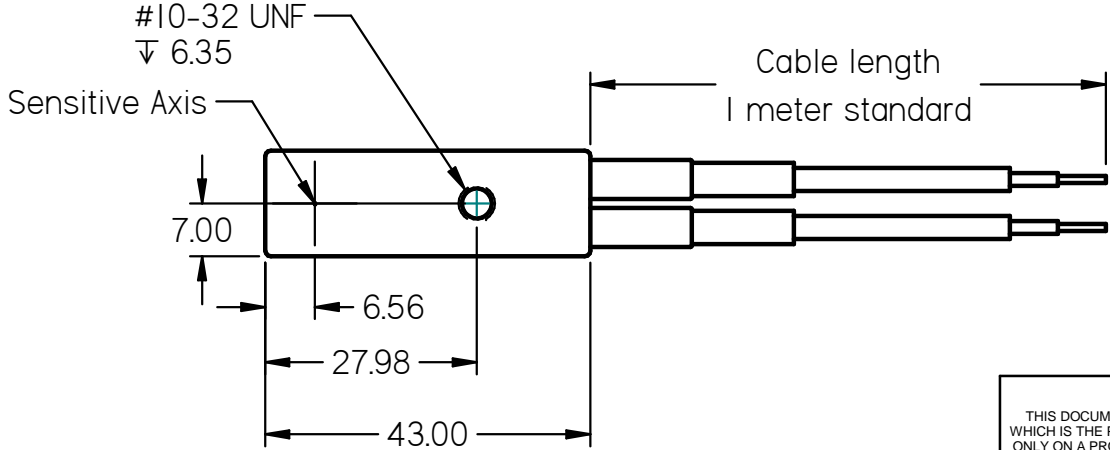
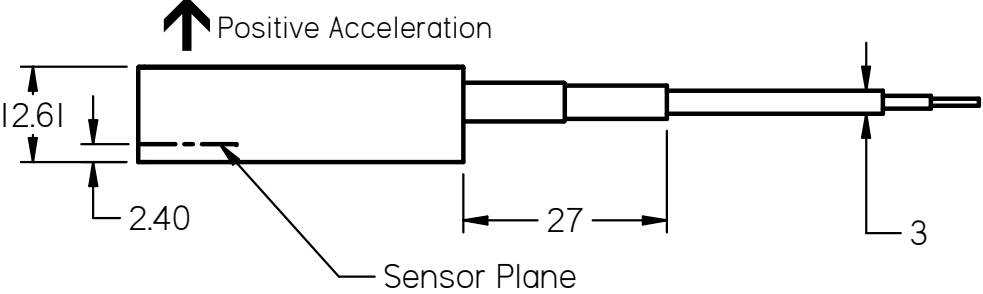
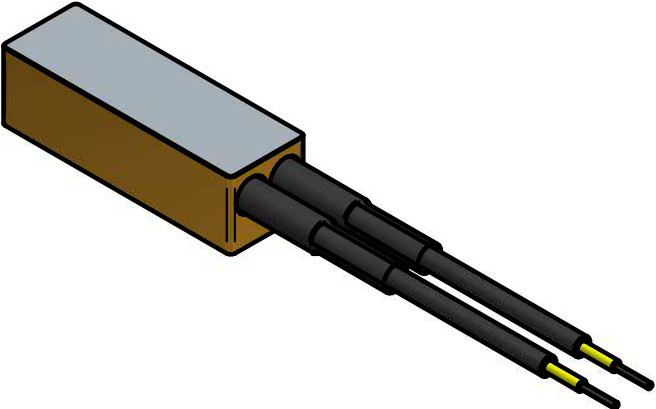
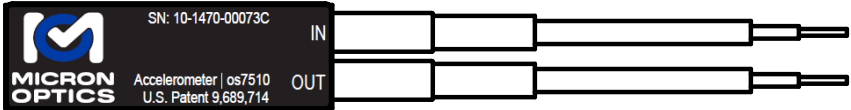


REVISION HISTORY

REV	DESCRIPTION	DATE	EO NUMBER
A	Initial Release	8/30/2018	XXXXXXXXXX
B	Add sensor axis location	7/2/2019	XXXXXXXXXX



**MICRON OPTICS PROPRIETARY**  
 THIS DOCUMENT CONTAINS MATERIAL AND/OR INFORMATION WHICH IS THE PROPERTY OF MICRON OPTICS, INC. IT IS SUPPLIED ONLY ON A PROPRIETARY BASIS, AND MUST BE RETURNED UPON REQUEST. DO NOT CIRCULATE, REPRODUCE OR DIVULGE TO OTHER PARTIES WITHOUT WRITTEN CONSENT OF MICRON OPTICS, INC.

DIMENSIONS IN MILLIMETERS  
 INTERPRET DRAWINGS PER ANSI Y14.5 - 2009

**GENERAL TOLERANCE UNLESS OTHERWISE SPECIFIED**  
 DECIMAL MM X = +/- 1, X.X = +/- 0.5, X.XX = +/- 0.15  
 ANGLES +/- 0.5°  
 MACHINED SURFACES = 1.6um



Accelerometer | os7510  
 Customer Drawing

PART NO	DRAWING NO
DRN BY	SIZE
STEVE F.	A
DRAWING NO 740-400002	
SHEET 1 OF 1	